



# MK-100 JCS Tile Saw

**TILE SAW  
OWNER'S MANUAL &  
OPERATING INSTRUCTIONS**



**CAUTION:**  
Read all safety and  
operating instructions  
before using this  
equipment

Enter the Serial Number of your new saw in the space below. The Serial Number is located on the left side of the blade guard.

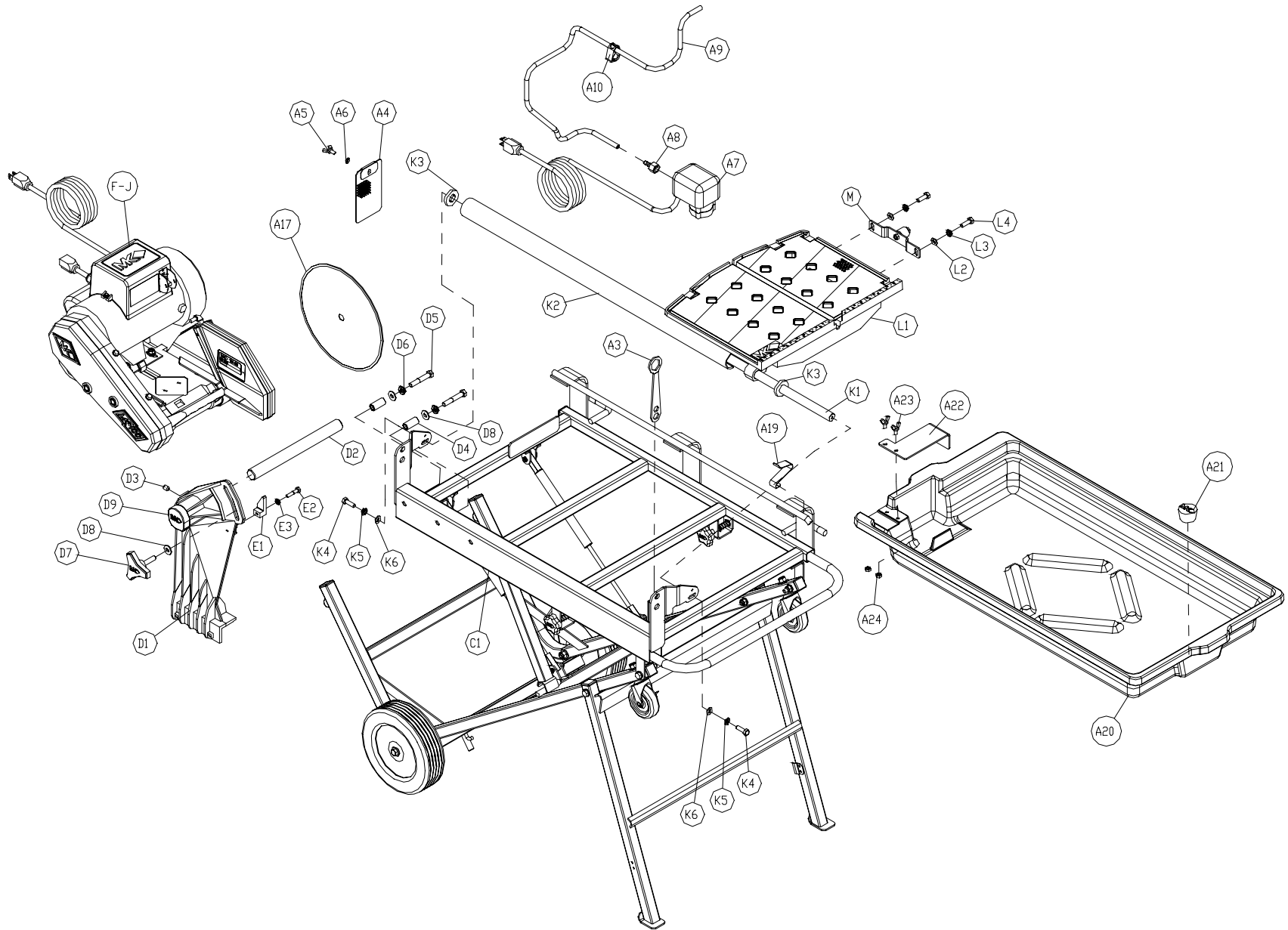
**SERIAL NUMBER:**

**NOTE:**

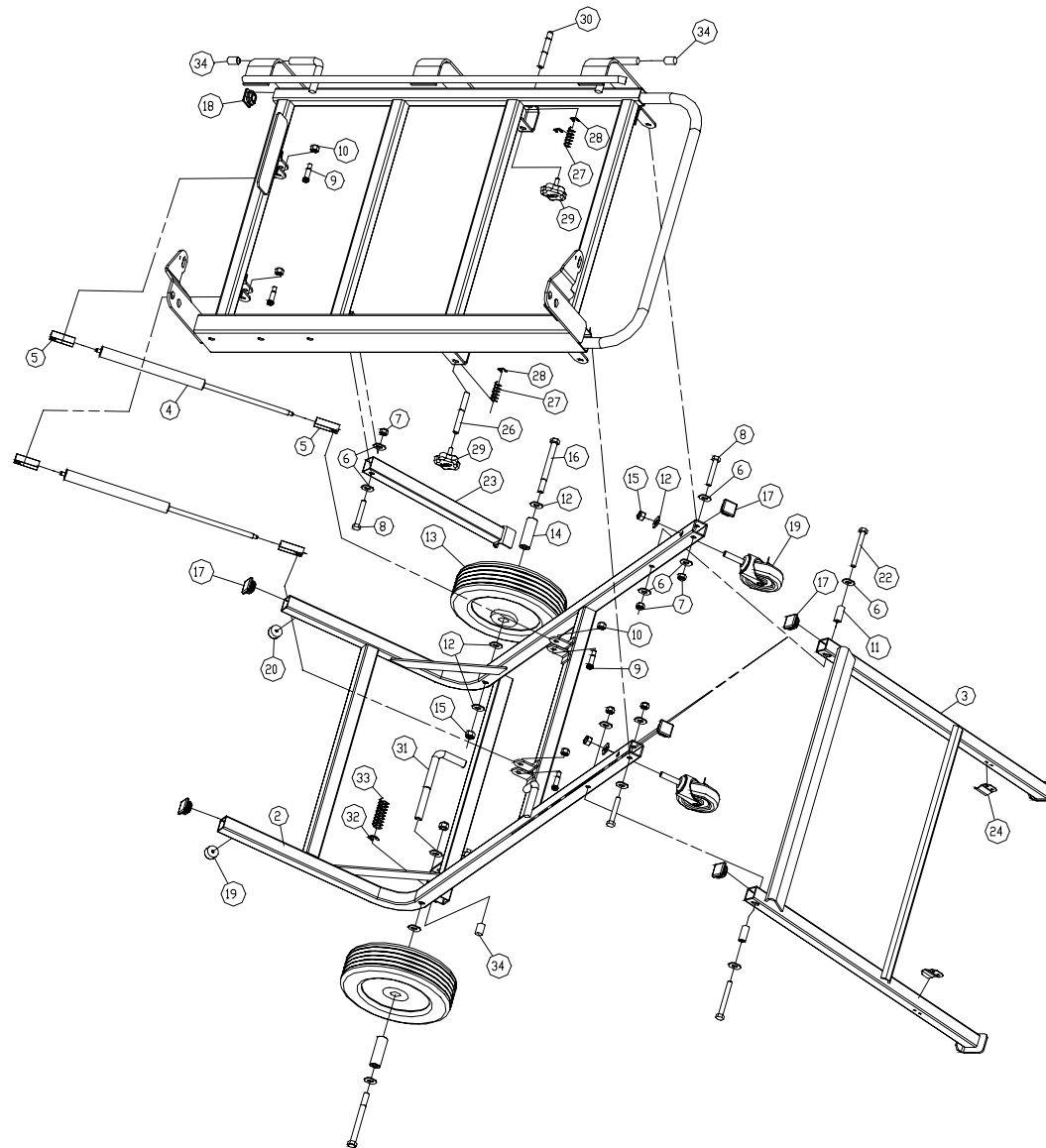
For your (1) one year warranty to be effective, complete the warranty card (including the Serial Number and mail it in as soon as possible.

# EXPLODED VIEW AND PARTS LIST

**EXPLODED VIEW:**



# EXPLODED VIEW AND PARTS LIST



## EXPLODED VIEW AND PARTS LIST

### PARTS LIST:

Item	Description	Qty	Part #
<b>A</b>	<b>Accessories</b>	-	n/a
A1	Wrench, 15/16 Closed End	1	134684
A2	Guard, Splash	1	160310
A3	Wing screw, 1/4-20 X 1/2	1	151888
A4	Washer, 1/4 SAE Flat	1	151915
A5	Pump, Water 115V/60Hz UL	1	151271-VP
A6	Fitting, Plastic, 1/4 FNPT X 1/4 BARB	1	128397
A7	Hose, Vinyl, 1/4 ID	6'	132951
A8	Clamp, Flow, 1/4-1/2	1	154394
A9	Rip Guide, Large Die Cast	1	159751
A10	Blade, MK-100, 10X060X5/8	1	154380
A11	Owner's Manual, MK-100 Portable Tile Saw	1	162494
A12	Carton, Accessory Pack, 101	1	153366
A13	Foam, Accessory Pack Carton	1	154022
A14	Card, MK Warranty Registration	1	155037
A15	Label, Do Not Return	1	157063
A16	Sell Sheet, Tile Accessory	1	156915
A17	Clip, Table Lock, 30 deg	1	160331-1
A18	Tag, Serial Number, Blank	1	157500
A19	Drive Screw, Round Head, #7 x 5/16	2	157849
A20	Pan, Plastic, 101	1	150634
A21	Plug, Rubber Drain	1	153439
A22	Clamp, Pump Holding, MK100	1	162073
A23	Screw, Wing, 1/4-20x1/2	2	151888
A24	Nut, Hex, 1/4-20	2	151893
<b>B</b>	<b>Packaging</b>	-	n/a
B1	Cart Tray	1	162531
B2	Base Self Locking Tray	1	162532
B3	Motor Tray	1	162533
B4	Filler Pad	1	162534
B5	Corner supports	4	162535
B6	Outer Cover	1	162536
<b>C</b>	<b>Frame</b>		n/a
C1	Assembly, Portable Stand	1	160705
<b>D</b>	<b>Post</b>		n/a
D1	Post, DC, 101, MK Red	1	158438
D2	Shaft, 10.63" Pivot, 101	1	153254
D3	Screw, 3/8-16 X 1/2 Socket Head Set	1	153710
D4	Spacer, 5/8x.385x1.4	1	160654
D5	Screw, 3/8-16 X 2 1/2	2	156030
D6	Washer, 3/8 Split Lock	2	150925
D7	Plastic Post Cover	1	160157
D8	Knob, 3/8-16 X 1.5 MK Adjustment	1	156770-2
D9	Washer, 3/8 SAE Flat	1	150923
<b>E</b>	<b>Stop, Cutting Head</b>		
E1	Stop, 10" Cutting Head	1	157728
E2	Screw, 1/4-20 X 1 1/4 Hex Head Cap	1	157145
E3	Washer, 1/4 Split Lock	1	152591
E4	Sheet, Cutting Head Stop Instruction	1	157728-IS

## EXPLODED VIEW AND PARTS LIST

<b>F</b>	<b>Belt Guard</b>		n/a
F1	Belt Guard, MK-100	1	158319-00
F2	Bracket, Inner Belt Guard, 100/101/101Pro	1	158611
F3	Screw, 1/4-20 x 3/4 Hex Head Cap	3	152370
F4	Screw, 1/4-20 x 1 Hex Head Cap	1	152676
F5	Washer, 1/4 Split Lock	4	152591
F6	Washer, 1/4 SAE Flat	4	151915
F7	Belt, 260J6 Micro-V	1	158194
<b>G</b>	<b>Assembly, Blade Guard</b>	1	152582
G1	Blade Guard, 101/115	1	153659
G2	Tube, Water	2	155389
G3	Screw, 5/16-18 X 1/2 Socket Head Set	3	152607
G4	Elbow, 1/8 MNPT X 1/4 BARB 90° Brass	1	154652
<b>H</b>	<b>Assembly, Cutting Head, MK-100</b>	1	158191
H1	Head, 10" Cutting	1	158224
H2	Pin, Blade Shaft Lock	1	158200
H3	Spring, Blade Guard Lock	1	158201
H4	E-Ring, 1/4 Retaining	1	158202
H5	Bearing, 17mm X 40mm X 12mm Ball (6203-2NSE)	2	137711
H6	Shaft, Blade 880/101/1080	1	158222
H7	Flange, 2-3/8 Inner	1	137737
H8	Flange, 2-3/8 Outer	1	135830
H9	Nut, 5/8-18 Hex	1	135848
H10	Pulley, 6J19 X 5/8 Bore	1	158199
H11	Key, 3/16 x 3/16 x 1 1/8 Square	1	150344
H12	Screw, 5/16-18 X 3/8 Socket Head Set, Cup Point	2	157083
H13	Bumper, 1/2 Dia Rubber	1	152674
H14	Screw, 5/16-18 X 1 Hex Head Cap	4	151743
H15	Washer, 5/16 SAE Flat	4	151754
H16	Washer, 5/16 Split Lock	4	151747
H17	Nut, 5/16-18 Hex	4	101196
H18	Screw, 5/16-18 x 2 1/2 Hex Head Cap, Full Thread	1	151748
H19	Pivot, Blade Guard	1	153208
H20	Washer, 3/8 SAE Flat	2	150923
H21	Wing nut, 5/16-18 Nylock	1	151746
H22	Strap, Motor Adjustment	1	152673
H23	Screw, 3/8-16 X 3 1/2 Hex Head Full Thread	1	153147
<b>J</b>	<b>Motors</b>	-	-
J1	Motor, 1.5HP\115V\60Hz	1	158297
J2	Pulley, 6J17 X 5/8 Bore	1	158214
J3	Key, 3/16 x 3/16 x 1-1/8 Square	1	150344
J4	Screw, 5/16-18 X 3/8 Socket Head Set, Cup Point	2	157083
J5	Label, Warning, Read Owner's Manual, 1-3/4 X 3-3/8	1	155806
J6	Label, Caution, GFCI, 1 X 2 1/8	1	155678
J7	Label, Caution, 5 Amp Max., 1 X 2-1/8	1	154822
J8	Label, MK Service Info., 2 1/8 X 1-13/16	1	155038
<b>K</b>	<b>Table</b>		n/a
K1	Table, 100	1	157660
K2	Washer, 5/16 SAE Flat	2	151754

## EXPLODED VIEW AND PARTS LIST

K3	Washer, 5/16 Split Lock	2	151747
K4	Screw, 5/16-18 X 1 Hex Head Cap	2	151743
<b>L</b>	<b>Guide Bar</b>		n/a
L1	Bar, 3/4 X 32 Guide, 101	1	134759
L2	Screw, 5/16-18 X 1 Hex Head Cap	2	151743
L3	Washer, 5/16 Split Lock	2	151747
L4	Washer, 5/16 SAE Flat	2	151754
<b>M</b>	<b>Assembly, Roller Wheel</b>	1	151756
M1	Bracket, Roller Wheel	1	154021
M2	Wheel, Roller	1	151799
M3	Screw, 1/4-20 X 1 1/2 Hex Head Cap	1	151914
M4	Washer, 1/4 SAE Flat	1	151915
M5	Nut, 1/4-20 Hex	1	151893

## EXPLODED VIEW AND PARTS LIST

### PARTS LIST FOR JCS STAND (SHOWN IN PAGE 41):

Item	Description	Qty	MK p/n
-	Assembly, Portable Stand, MK100/101/770EXP	1	160705
1	Weldment, Integrated Frame	1	160690
2	Weldment, Rear Support	1	160693
3	Weldment, Front Support	1	160700
4	Spring, Gas, 600N	2	160696
5	Fitting, End, Gas Spring	4	160695
6	Washer, 5/16 SAE	10	151754
7	Nut, Hex, Nylok, 5/16-18	5	158289
8	Screw, Hex, 5/16-18x2	3	155494
9	Screw, Shoulder, 5/16x3/4	4	160726
10	Nut, Hex, Nylok, 1/4-20	4	159857
11	Spacer, 1/2x5/16x1-1/8	2	160732
12	Washer, 3/8 SAE	8	150923
13	Wheel, 8x2-1/4	2	155986
14	Spacer, 3/4x3/8x2-1/4	2	160728
15	Nut, Hex, Nylok, 3/8-16	4	152505
16	Screw, Hex Hd, 3/8-16x4	2	153531
17	Plug, Plastic, 1 SQ., 10-14 Ga	6	160727-2
18	Plug, Plastic, 1 SQ., 14-20 Ga	1	160727-1
19	Caster, Swivel, 3" w/ 3/8-16 Stem	2	160735
20	Bumper, Rubber	2	159855
21	Rivet, Dome Style, 3/16 Dia x.251-.375 Grip	2	160729-3
22	Screw, Hex Hd, 5/16-18x2-3/4	2	152520
23	Weldment, Vertical Support	1	160934
24	Plate, Spring	1	160694
25	Rivet, Dome Style, 5/32 Dia x.063-.125 Grip	4	161226-1
26	Pin, Locking	1	160936
27	Spring, 1/2x.04x1.75	1	160697
28	Ring, Retaining, 3/8x.035	1	161171
29	Knob, Plastic	1	159428-1
30	Pin, Frame Locking	1	162055
31	Pin, Wheel Locking	1	162051
32	Ring, Retaining, 1/2x.042	1	162053
33	Spring, .600x.045x2.25	1	162052
34	Cap, Vinyl, 1/2-9/16x3/4	3	162057