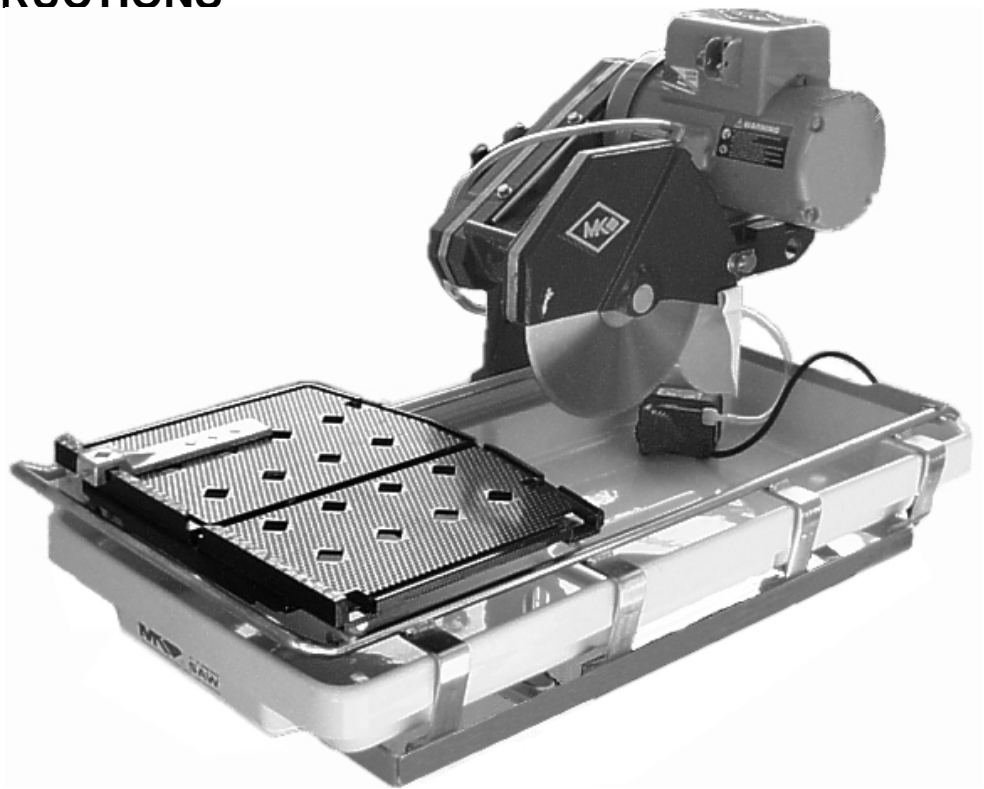




MK-101 TRACKER

**TILE SAW
OWNER'S MANUAL &
OPERATING INSTRUCTIONS**



CAUTION:
Read all safety and
operating instructions
before using this
equipment

Enter the Serial Number of your new saw in the
space below. The Serial Number is located on the
left side of the blade guard.

SERIAL NUMBER:

NOTE:

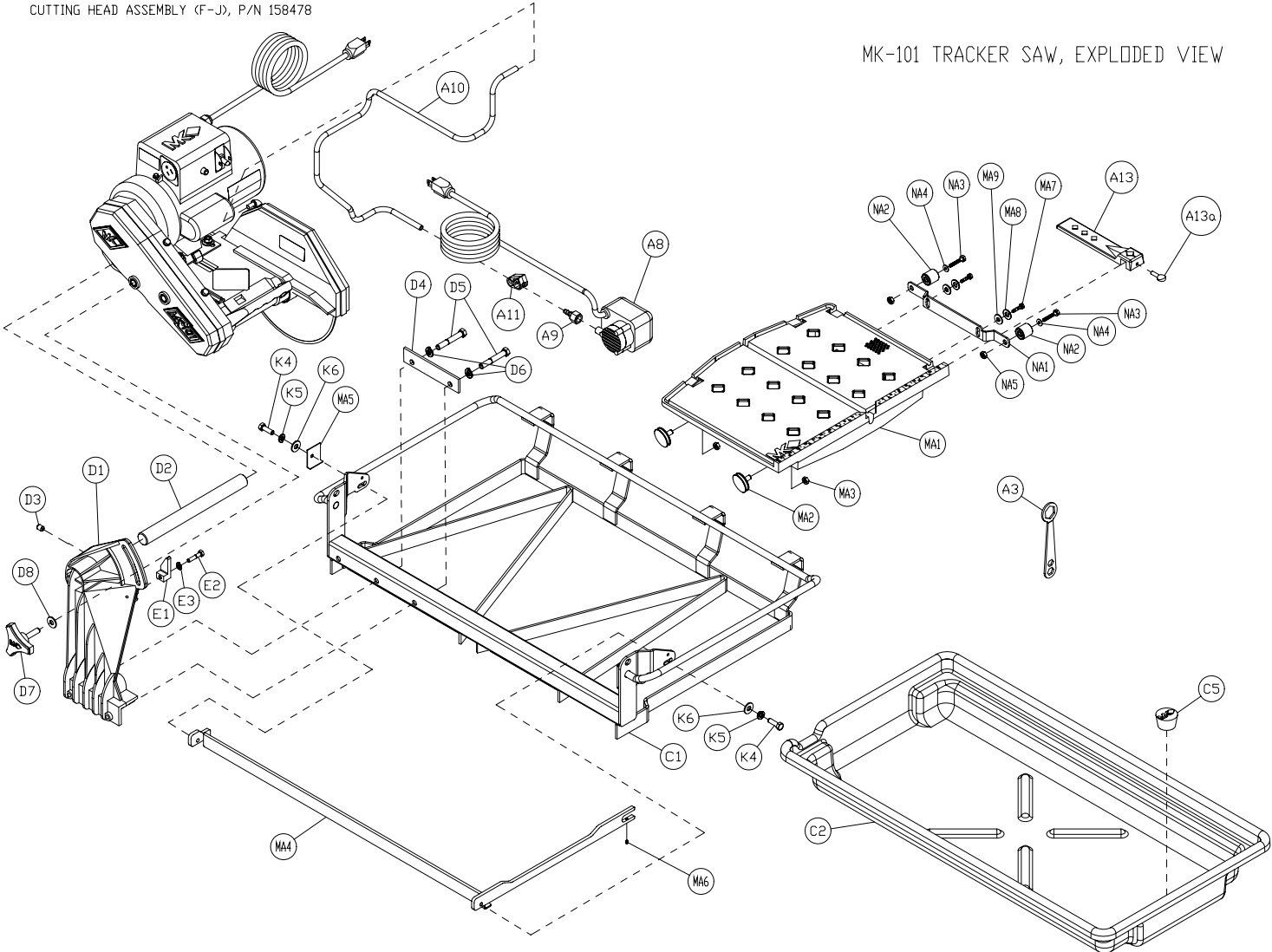
For your (1) one year warranty to be effective,
complete the warranty card (including the Serial
Number and mail it in as soon as possible.

EXPLODED VIEW AND PARTS LIST

EXPLODED VIEW:

CUTTING HEAD ASSEMBLY (F-J), P/N 158478

MK-101 TRACKER SAW, EXPLODED VIEW



EXPLODED VIEW AND PARTS LIST

PARTS LIST:

Item	Description	Qty	Part #	*Rev
A	Accessories	-	-	-
A1	Carton, Accessory Pack, 101	1	153366	*
A2	Foam, Accessory Pack Carton	1	154022	*
A3	Wrench, 15/16 Closed End	1	134684	*
A4	Curtain, Splash	1	134841	*
A5	Bracket, Splash Curtain	1	152571	
A6	Wing screw, 1/4-20 X 1/2	1	151888	
A7	Washer, 1/4 SAE Flat	1	151915	
A8	Pump, Water, G-150A	1	151271	*
A9	Fitting, Plastic, 1/4 FNPT X 1/4 BARB	1	128397	
A10	Hose, Vinyl, 1/4 ID	2'	132951	
A11	Clamp, Flow, 1/4-1/2	1	154394	
A12	Owner's Manual, Water Pump, G-150A	1	155745	
A13	Rip Guide	1	134551	*
	a) Screw, 1/4-20 X 3/4 Thumb	1	150991	
A14	Large Bullnose Accessory	1	153201	*
	Screw, 1/4-20 X 3/4 Thumb	2	150991	
A20A	Owner's Manual, MK-101 Tracker Saw	1	159701	*
A21	Card, MK Warranty Registration	1	155037	*
A22	Label, Do Not Return	1	157063	*
A24	Stand, Folding, Universal	1	151889	*
A25	Blade, MK-100, 10 X 060 X 5/8	1	154380	*
A26B	Label, Tile saw Serial #, UL Mark	1	157249-02	*
C	Frames	-	-	-
C1	Frame, 101	1	153003	*
C2	Pan, Plastic, 101	1	150634	*
C3	Pin, 3/16 X 3/8 Roll	2	151783	*
C4	Plate, Adjustment	2	151758	*
C5	Plug, Rubber Drain	1	153439	*
C6	Tag, Saw Hang MK-101	1	155839	*
D	Posts	-	-	-
D1	Post, 101, MK Red	1	155670	*
D2	Shaft, 10.63" Pivot, 101	1	153254	*
D3	Screw, 3/8-16 X 1/2 Socket Head Set	1	153710	*
D4	Plate, Support	1	155671	*
D5	Screw, 3/8-16 X 2 1/2 Hex Head Cap	2	156030	*
D6	Washer, 3/8 Split Lock	2	150925	*
D7	Knob, 3/8-16 X 1.5 MK Adjustment	1	156770-02	*
D8	Washer, 3/8 SAE Flat	1	150923	*
-	Kit, Stop, 10" Cutting Head	1	157728-MK	-0-
E1	Stop, 10" Cutting Head	1	157728	*
E2	Screw, 1/4-20 X 1 1/4 Hex Head Cap	1	157145	*
E3	Washer, 1/4 Split Lock	1	152591	*

EXPLODED VIEW AND PARTS LIST

F-J	Cutting Head Assemblies		-	-	-
-	Assembly, DC Cutting Head, MK-101 1-1/2hp\120V60Hz\1PH		1	158478	-0-
F	Belt Guards				
F1	Belt Guard, MK-101		1	158319-01	*
F2	Bracket, Inner Belt Guard, 100/101		1	158611	*
F3	Screw, 1/4-20 x 3/4 Hex Head Cap		3	152370	*
F4	Screw, 1/4-20 x 1 Hex Head Cap		1	152676	*
F5	Washer, 1/4 Split Lock		4	152591	*
F6	Washer, 1/4 SAE Flat		4	151915	*
F7	Belt, 260J6 Micro-V		1	158194	*
G	Blade Guard Assemblies		-	-	-
-	Assembly, Blade Guard, MK-101/115		1	152582	-0-
	G1-4				
G1	Blade Guard, 101/115		1	153659	*
G2	Tube, Water		2	155389	*
G3	Screw, 5/16-18 X 1/2 Socket Head Set		3	152607	*
G4	Elbow, 1/8 MNPT X 1/4 BARB 90° Brass		1	154652	*
H	Motors		-	-	-
H1	Motor, 1-1/2HP\120V\60Hz		1	151473	*
H2	Pulley, 6J17 X 5/8 Bore		1	158214	*
H3	Key, 3/16 x 3/16 x 1-1/8 Square		1	150344	*
H4	Screw, 5/16-18 X 3/8 Socket Head Set, Cup Point		2	157083	*
H5	Label, Warning most motor..., 2 3/4 X 2 7/16		1	155672	*
H6	Label, Caution, GFCI, 1 X 2 1/8		1	155678	*
H7	Label, Caution, 5 Amp Max., 1 X 2-1/8		1	154822	*
H8	Label, Warning, Read Owner's Manual, 1-3/4 X 3-3/8		1	155806	*
H9	Label, MK Service Info., 2 1/8 X 1-13/16		1	155038	*
J	Cutting Head Subassemblies		-	-	-
-	Subassembly, DC Cutting Head, 100/101		1	158191	-0-
J1	Cutting Head, DC, 100/101, MK Red		1	158224	*
J2	Pin, Blade Shaft Lock		1	158200	*
J3	Spring, Blade Guard Lock		1	158201	*
J4	E-Ring, 1/4 Retaining		1	158202	*
J5	Bearing, 17mm X 40mm X 12mm Ball (6203-2NSE)		2	137711	*
J6	Shaft, Blade 100/101		1	158222	*
J7	Flange, 2-3/8 Inner		1	137737	*
J8	Flange, 2-3/8 Outer		1	135830	*
J9	Nut, 5/8-18 Hex		1	135848	*
J10	Pulley, 6J19 X 5/8 Bore		1	158199	*
J11	Key, 3/16 x 3/16 x 1 1/8 Square		1	150344	*
J12	Screw, 5/16-18 X 3/8 Socket Head Set, Cup Point		2	157083	*
J13	Bumper, 1/2 Dia Rubber		1	152674	*
J14	Screw, 5/16-18 X 1 Hex Head Cap		4	151743	*
J15	Washer, 5/16 SAE Flat		4	151754	*
J16	Washer, 5/16 Split Lock		4	151747	*
J17	Nut, 5/16-18 Hex		4	101196	*
J18	Screw, 5/16-18 x 2 1/2 Hex Head Cap, Full Thread		1	151748	*
J18A	Bolt, 5/16-18 x 2 1/2 Carriage		1	152675	*
J19	Pivot, Blade Guard		1	153208	*
J20	Washer, 3/8 SAE Flat		2	150923	*
J21	Wingnut, 5/16-18 Nylock		1	151746	*

EXPLODED VIEW AND PARTS LIST

J22	Strap, Motor Adjustment	1	152673	*
J23	Screw, 3/8-16 X 3 1/2 Hex Head Full Thread	1	153147	*
K-N	Table Assemblies	-	-	-
-	Assembly, Tracker Wheel Table, MK 101	1	159554	-0-
MA	Table, Tracker Wheel	-	-	-
-	Assembly, Tracker Wheel Table	1	159554	*
MA1	Table, 101 Tracker Wheel	1	158962	*
MA2	Wheel, Conveyor Cart	2	133090	*
MA3	Nut, Hex w/ WSHR 5/16-18	2	153942	*
MA4	Frame, 101 Tracker Wheel	1	158937	*
MA5	Stop, MK 101 Tracker Wheel Table	1	159652	*
MA6	Screw, 10/24 x 1/4 Socket Set – Cup PT	2	157522	*
MA7	Screw, 5/16-18 x 3/4 Hex Head Cap	2	151369	*
MA8	Washer, 5/16 Split Lock	2	151747	*
MA9	Washer, 5/16 SAE Flat	2	151754	*
NA	Dual Roller Wheel	-	-	-
-	Assembly, Dual Roller Wheel	1	159549	-0-
NA1	Bracket, Dual Roller Wheel	1	159548	*
NA2	Wheel, Roller	2	151799	*
NA3	Screw, 1/4-20 X 1 1/2 Hex Head Cap	2	151914	*
NA4	Washer, 1/4 SAE Flat	2	151915	*
NA5	Nut, 1/4-20 Hex	2	151893	*
NA6	Shim, .004 X 5/16 ID X 1/2 OD	~4	152519	*