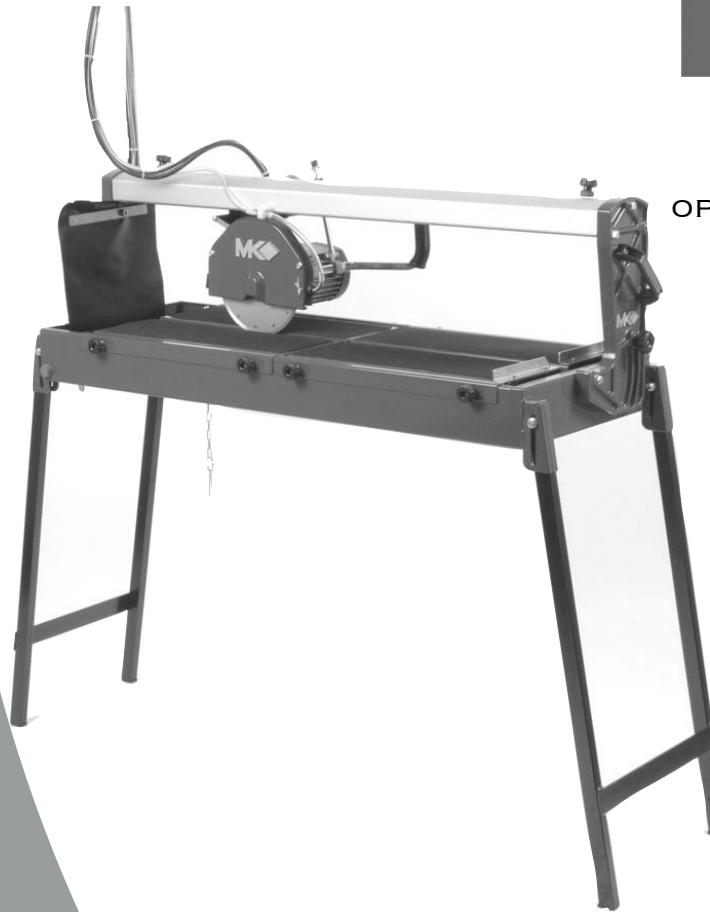


MK-112 TILE SAW

OWNERS MANUAL



TILE SAW OWNER'S MANUAL & OPERATING INSTRUCTIONS

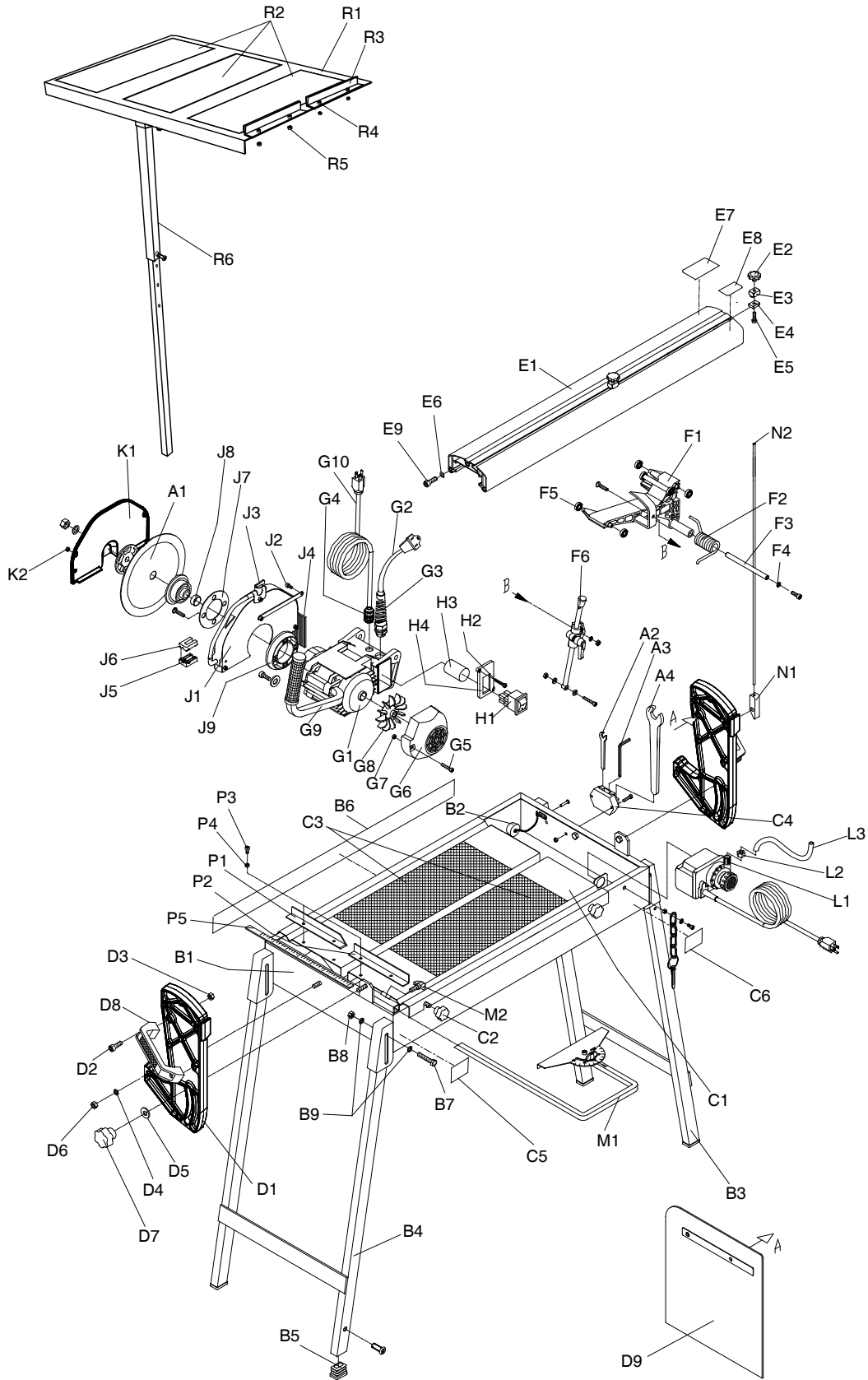
CAUTION

READ SAFETY
AND GENERAL
INSTRUCTIONS
CAREFULLY
BEFORE USING
SAW FOR THE
FIRST TIME



SERIAL NUMBER

YOU SHOULD RECORD THE SERIAL NUMBER OF YOUR SAW ON THIS OWNER'S MANUAL AND ON THE WARRANTY CARD, WHICH MUST BE SENT IN, TO BE EFFECTIVE. BE SURE TO INCLUDE ALL PERTINENT INFORMATION REQUIRED.



EXPLODED VIEW

PARTS LIST:

Item	Description	Qty	MK Part #
A Assembly, Accessories			
A1	Blade, MK-200, 8x7/8 Arbor	1	137158Y
A2	5mm wrench	1	160529
A3	5mm Allen key	1	159979
A4	19mm wrench	1	160530
A5	Card, MK Warranty Registration (not shown)	1	155037
A6	Manual, MK-112 Owners (not shown)	1	160467
A7	Label, Do Not Return (not shown)	1	157063
B Assembly, Frame/Pan			
B1	Frame / Pan Weldment	1	160531
B2	Plug, Rubber Drain	1	160532
B3	Leg, Stand LT	1	160533
B4	Leg, Stand RT	1	160534
B5	Foot, Rubber	4	160535
B6	Label, MK-112 Title	1	160468
B7	Screw, Hex HD 5/16-18X1-1/2	4	152467
B8	Nut, Hex Nylock	4	158289
B9	Washer, 5/16 SAE Flat	8	151754
C Assembly, Table			
C1	Table, MK 112	2	160536
C2	Knob, MK 112 Table	4	160537
C3	Mats, MK 112 Table	4	160538
C4	Holder, Accessory	1	160539
C5	Label, Serial #, MK-112	1	160469
C6	Label, MK Service Info. 2 1/8 X 1-13/16	1	155038
D Assembly, Pivot Post			
D1	Post, 112 (comp)	2	160466
	Post, 112 (raw)	2	160417
D2	Screw, Soc HD Cap M8X1.25X50MM	4	160540
D3	Nut, Hex Flange M8		156624
D4	Washer, 5/16 SAE Flat	2	151754
D5	Washer, Fender 5/16 IDX 1.0 OD	2	151053
D6	Nut, Hex Nylock 5/16-18	2	158289
D7	Knob, 3/16-18 MK Angle Adjustment	2	160541
D8	Handle, MK 112	2	160542
D9	Guard, Large Splash	1	160543
E Assembly, Rail			
E1	Rail, MK 112	1	160544
E2	Knob, MK 112 Cut Length Adjustment	2	160545
E3	Spacer, Length Adjustment	2	160546
E4	Guide, Length Adjustment	2	160547
E5	Screw, Hex HD M6 x 20mm	2	158158
E6	Wawher, Lock Split 5/16	6	151747
E7	Label, Warning, Read Owners	1	155806
E8	Label, Caution, GFCI	1	155678
E9	Screw, Hex HD M6 x 20mm	2	158158

MK-112 PARTS LIST (Cont...)

F	Assembly, MK 112 Cutting Head		
F1	Block, Rail Saw Bearing	1	160548
F2	Spring, Cutting Head	1	160549
F3	Shaft, Cutting Head	1	160550
F4	Washer, 5/16 SAE Flat	2	151754
F5	Bearing, Radial Ball TYPE 608 ABEC-1	6	160551
F6	Rail, Vertical Guide	1	160552
G	Assembly, 115V Motor		
G1	Motor, 115 Volt, 60Hz, 1 hp	1	160553
G2	Power, Water Pump	1	160554
G3	Relief, MK-112 Strain w/Lock Nut	1	160555
G4	Nut, Strain Relief Lock	1	160556
G5	Screw, Soc HD Cap M5 x 25mm	2	160557
G6	Cap, Motor	1	160558
G7	Nut, M5-.8 Hex	4	157405
G8	Fan, Motor	1	160559
G9	Handle, Motor	1	160560
G10	Cord, MK-112 Power	1	160561
H	Assembly, MK 112 Switch		
H1	Switch, MK 112	1	160562
H2	Screw, Pan HD PHIL 4M x 12mm	2	160563
H3	Sleeve, Wire	1	160564
H4	Plate, MK 112 Switch	1	160565
J	Assembly, Inner Blade Guard		
J1	Guard, MK 112 Inner Blade (comp)	1	160566
J2	Screw, Socket Cap M5 X 10mm	1	160567
J3	Valve, Water	1	160568
J4	Guard, Splash	1	160310
J5	Spray, Water, Bottom (Fem)	1	160569
J6	Spray, Water, Top (Male)	1	160570
J7	Spacer, Steel	1	160571
J8	Bushing, Blade Guard	1	160572
J9	Connector, Blade Guard	1	160573
K	Assembly, Blade Guard		
K1	Blade Guard, 112 (comp)	1	160438
	Blade Guard, 112 (raw)	1	160437
K2	Nut, Hex Flange M5	2	160574
L	Assembly, Water Pump		
L1	Pump, Water	1	160575
L2	Adapter, Brass	1	160576
L3	Hose, Vinyl	1	160577
M	Assembly, MK 112, Slide Protractor		
M1	Protractor, MK 112 Sub-assembly	1	160578
M2	Knob, Protractor	1	160579

MK-112 PARTS LIST (Cont...)

N	Assembly, Antenna		
N1	Holder, Antenna	1	160580
N2	Antenna	1	160581
P	Assembly, Back Stop		
P1	Stop, Left	1	160582
P2	Stop, Right	1	160583
P3	Screw, Soc HD Cap M5 x 8mm	5	160584
P4	Nut, Hex Flange M5	4	160585
P5	Ruler, Stop	1	160586
R	Assembly, Side Table		
R1	Table, MK-112 Side	1	160588
R2	Mats, MK-112 Table	3	160538
R3	Stop, Right	2	160583
R3	Screw, Soc HD Cap M5 x 8mm	4	160584
R4	Nut, Hex Flange M5	4	160585
R6	Leg, MK-112 Side Table	1	160589