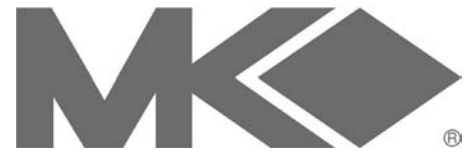


# MK-370 EXP TILE SAW

## OWNERS MANUAL



### TILE SAW OWNER'S MANUAL & OPERATING INSTRUCTIONS

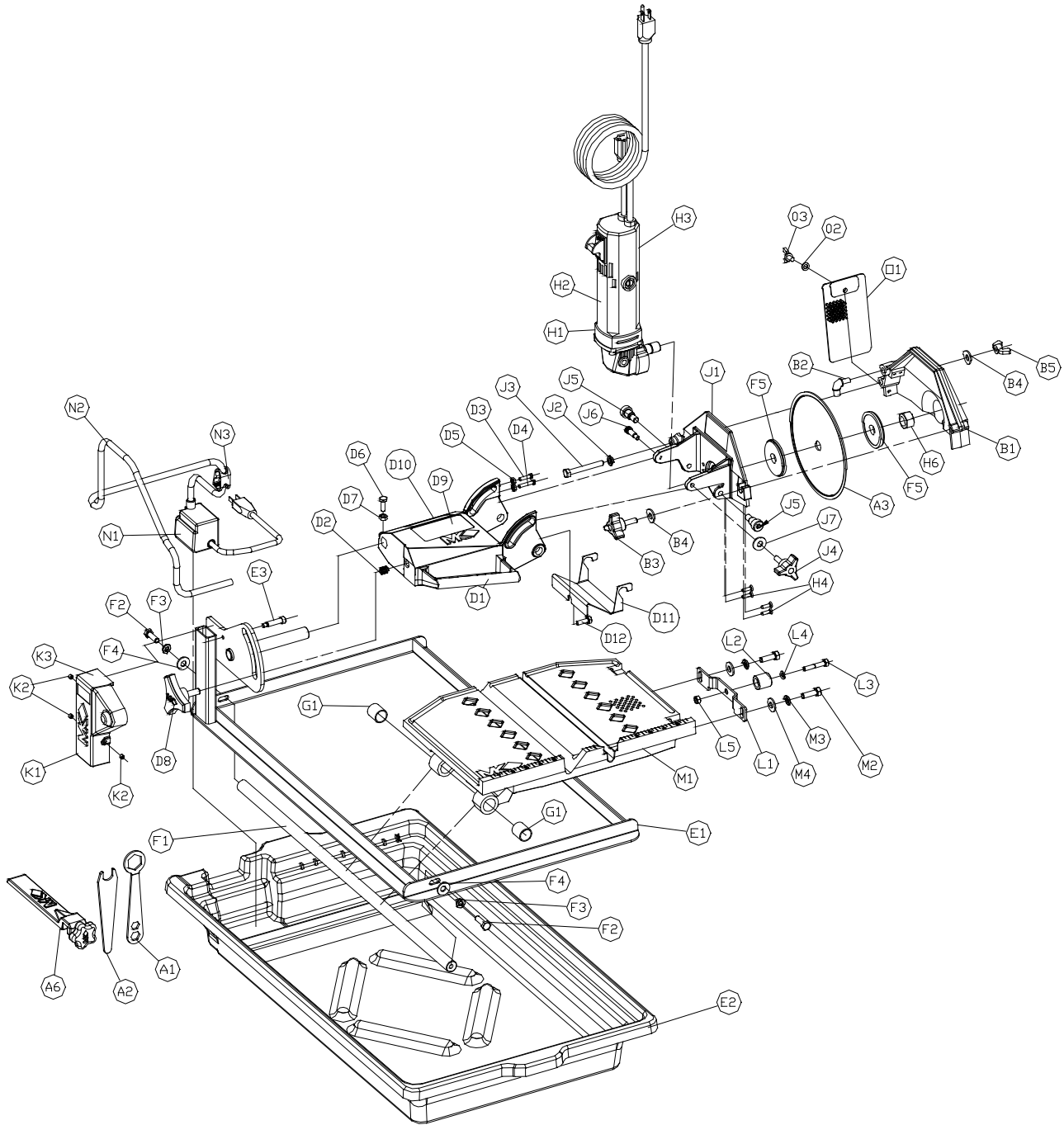


#### **⚠ WARNING**

- FOR YOUR OWN SAFETY READ INSTRUCTION MANUAL BEFORE OPERATING SAW
- WEAR EYE PROTECTION
- USE SPLASH HOOD FOR EVERY OPERATION FOR WHICH IT CAN BE USED
- DISCONNECT SAW BEFORE SERVICING, WHEN CHANGING CUTTING WHEELS, AND CLEANING
- USE TOOL ONLY WITH SMOOTH EDGE CUTTING WHEELS FREE OF OPENINGS AND GROOVES
- REPLACE DAMAGED CUTTING WHEEL BEFORE OPERATING

### SERIAL NUMBER

YOU SHOULD RECORD THE SERIAL NUMBER OF YOUR SAW ON THIS OWNER'S MANUAL AND ON THE WARRANTY CARD, WHICH MUST BE SENT IN, TO BE EFFECTIVE. BE SURE TO INCLUDE ALL PERTINENT INFORMATION REQUIRED.



**EXPLODED VIEW**

## MK-370 EXP PARTS LIST

### PARTS LIST:

Item	Description	Qty	Part #
A	Accessories	1	n/a
A1	Wrench, Blade Nut, 15/16 Boxed End	1	134684
A2	Wrench, Blade Shaft, 11/16 Open End	1	153450
A3	Blade, MK-225, 7X050X5/8, 4mm Saws	1	160592
A4	Owner's Manual, 370EXP	1	160084
A5	Warranty Card	1	155037
A6	Assembly, Rip Guide	1	134551-MK
	A6A) Rip Guide (comp)	1	134551
	A6B) Knob, Rubber (1/4-20x3/4)	1	159428-1
A7	Carton, Accessory Pack	1	153366
A8	Sell Sheet, Tile Accessory	1	156915
B	Assembly, Blade Guard, 7"	1	154811-MK
B1	Guard, 7" Blade (comp)	1	154811
	Guard, 7" Blade (raw)	1	154810
B2	Elbow, 1/8 MNPT X 1/4 BARB 90° Brass	1	154652
B3	Knob, Davies	1	151681
B4	Washer, 5/16 SAE Flat	2	151754
B5	Wingnut, 5/16-18 Nylok	1	151746
C	Carton	1	n/a
C1	Carton, MK-370EXP	1	160044
D	Assembly, Cutting Head	1	n/a
D1	Cutting Head (Comp)	1	159937
	Cutting Head (Raw)	1	159936
D2	Helicoil, 3/8-16x3/8	1	153486
D3	Screw, Slotted Pan Head, 10-32x3/4	1	151750
D4	Screw, Slotted Pan Head, 10-32x1	1	151751
D5	Nut, Hex 10-32	2	151749
D6	Screw, Hex Head, 1/4-20x3/4	1	152370
D7	Nut, Hex, 1/4-20	1	151893
D8	Knob, Tri Plastic	1	156770-01
D9	Label, Warning, Read Owner's Manual	1	155806
D10	Label, Serial Number, UL/CSA Mark	1	157249-04
D11	Cover, Splash	1	160279
D12	Screw, Hex Head, 1/4-20x3/8	1	153526
E	Frame	1	n/a
E1	Frame	1	159935
E2	Pan, Water	1	160041
E3	Screw, Shoulder, Soc Head, 1/4-20 x 1	1	160045
F	Assembly, Guide Bar, 3/4 Dia	1	159942-MK
F1	Bar, Guide, 3/4 Dia	1	159942
	Steel, C1045 Chromed rod, 3/4 Dia x 2.25'	1	154186
F2	Screw, 5/16-18 X 1 Hex Head Cap	2	151743
F3	Washer, 5/16 Split Lock	2	151747
F4	Washer, 5/16 SAE Flat	2	151754
G	Linear Bearing, 3/4 Dia	1	n/a
G1	Bearing, Multilube	2	152227

**MK-370 EXP PARTS LIST (cont...)**

H	Assembly, 120v Motor	1	n/a
H1	Motor, 120v/7.4A, Ryobi	1	156428-R
H2	Label, Caution, GFCI, 1 X 2 1/8	1	155678
H3	Label, Caution, Receptacle, 1 X 2 1/8	1	154822
H4	Screw, 10-32 X 5/8 Flat Head Phillips Cap	4	157554
H5	Flange, Blade	2	135830
H6	Nut, 5/8-18	1	135848
J	Assembly, Motor Mount	1	160052
J1	Motor Mount (Comp)	1	159941
	Motor Mount (Raw)	1	159940
J2	Washer, 5/16 Split Lock	1	151747
J3	Screw, 5/16-18 x 2-1/2 Hex Head Cap, Full Thread	1	151748
J4	Knob, Davies	1	151681
J5	Bolt, Shoulder, Soc Head, 1/2 x 1/2	2	151753
J6	Bolt, Shoulder, Soc Head, 5/16 x 5/8	1	152137
J7	Washer, 5/16 SAE Flat	1	151754
K	Assembly, Post Cover	1	159958-MK
K1	Cover, Post (comp)	1	159958
	Cover, Post (raw)	1	159956
K2	Screw, 1/4-20 x 1/4 Socket Head Set	3	157528
K3	Label, 370EXP Model	1	160054
L	Assembly, Roller Wheel	1	151756
L1	Bracket, Roller Wheel	1	154021
L2	Wheel, Roller	1	151799
L3	Screw, 1/4-20 X 1 1/4 Hex Head Cap	1	157145
L4	Washer, 1/4 SAE Flat	1	151915
L5	Nut, 1/4-20 Hex	1	151893
M	Table		n/a
M1	Table (Comp)	1	159939
	Table (Raw)	1	159938
M2	Screw, 5/16-18 X 1 Hex Head Cap	2	151743
M3	Washer, 5/16 Split Lock	2	151747
M4	Washer, 5/16 SAE Flat	2	151754
N	Assembly, PES-100 120v Water Pump	1	155987-MK
N1	Pump, Water, PES-100 120v	1	155987
N2	Hose, Vinyl, 1/4 ID x 2'	1	132951
N3	Clamp, Flow, 1/4-1/2	1	154394
O	Assembly, Splash Curtain	1	155901-MK
O1	Guard, Splash	1	160310
O2	Washer, 1/4 SAE Flat	1	151915
O3	Wingscrew, 1/4-20 X 1/2	1	151888