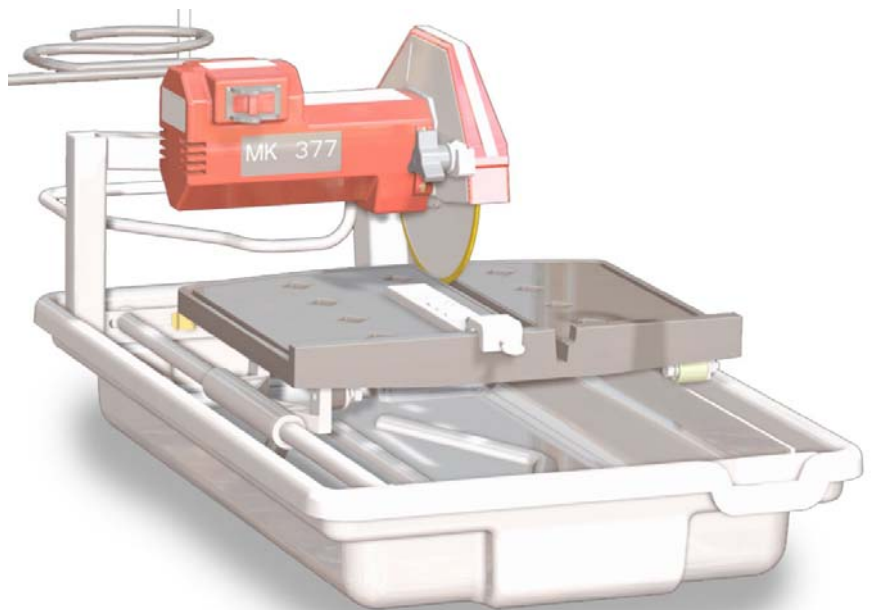




MK-377 SERIES

**TILE SAW
OWNER'S MANUAL &
OPERATING INSTRUCTIONS**



CAUTION:
Read all safety and
operating instructions
before using this
equipment

Enter the Serial Number of your new saw in the space below. The Serial Number is located on the left side of the blade guard.

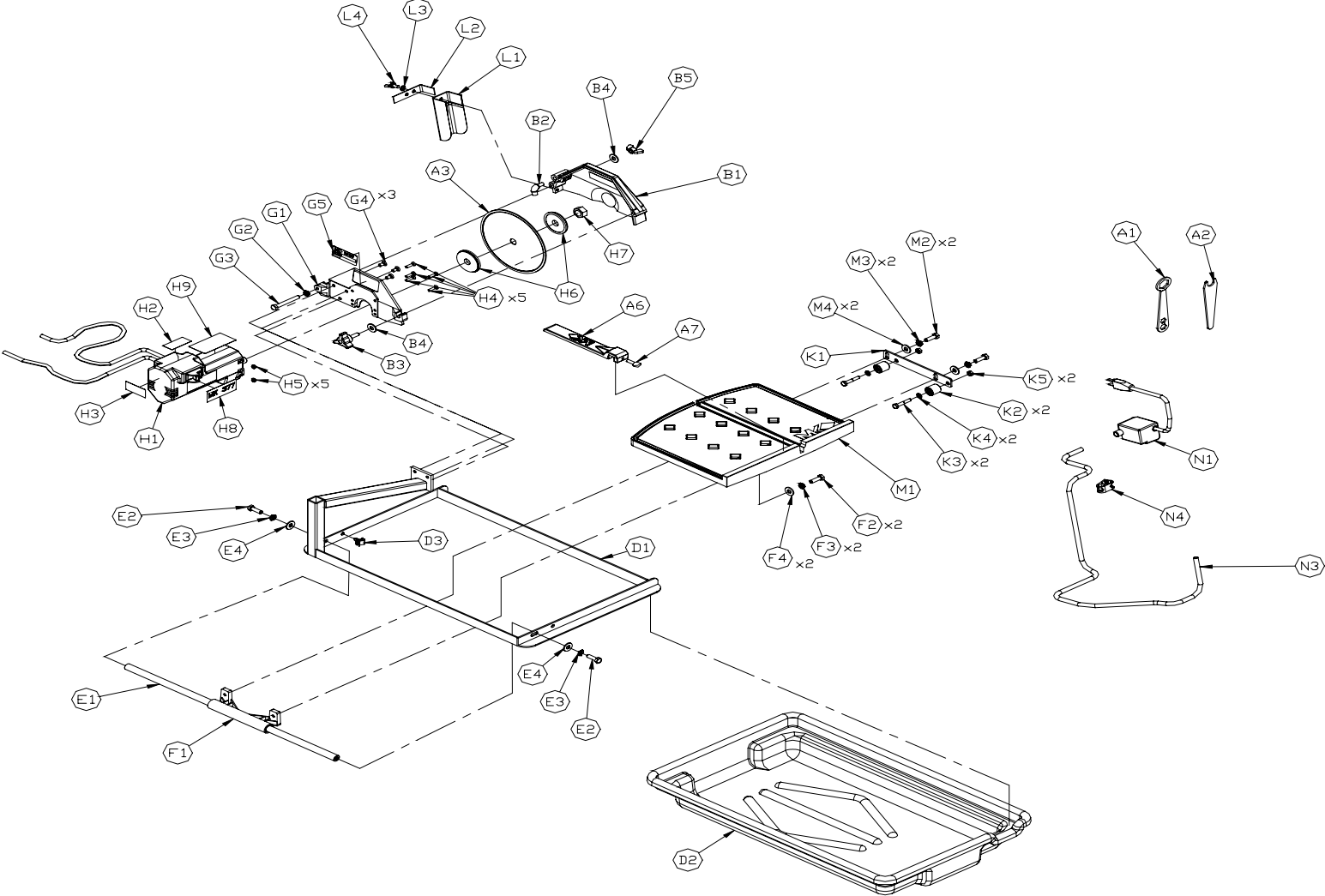
SERIAL NUMBER:

NOTE:

For your (1) one year warranty to be effective, complete the warranty card (including the Serial Number and mail it in as soon as possible.

EXPLODED VIEW AND PARTS LIST

EXPLODED VIEW:



EXPLODED VIEW AND PARTS LIST

PARTS LIST:

Item	Description	Qty	Part #
A	Accessories	-	N/A
A1	Wrench, Blade Nut, 15/16 Boxed End	1	134684
A2	Wrench, Blade Shaft, 11/16 Open End	1	153450
A3	Blade, 7 Dia X 5/8 arbor MK-170	1	153441
A4*	Owner's Manual, 377	1	160030
A5*	Warranty Card	1	155037
A7	Assembly, Rip Guide w/ Screw, 1/4 -20 x 3/4 Thumb	1 1	134551 150991
B	Assembly, Blade Guard, 7"	1	154811-MK
B1	Guard, 7" Blade	1	154811
B2	Elbow, 1/8 MNPT X 1/4 BARB 90° Brass	1	154652
B3	Knob, Davies	1	151681
B4	Washer, 5/16 SAE Flat	2	151754
B5	Wing nut, 5/16-18 Nylock	1	151746
D1	Frame	1	155792
D2	Pan, Water	1	155791
D3	Cord Clip, 1/4 Push Mount	1	157259
E	Assembly, 5/8 Guide Bar	1	151739-MK
E1	Bar, Guide, 5/8 Dia	1	151739
E2	Screw, 5/16-18 X 1 Hex Head Cap	2	151743
E3	Washer, 5/16 Split Lock	2	151747
E4	Washer, 5/16 SAE Flat	2	151754
F	Assembly, Linear Bearing, 5/8 Dia	-	N/A
F1	Bearing, Linear, 5/8 Dia F1A Bearing, Multi-lube	1 2	157126 151781
F2	Screw, 5/16-18 X 1 Hex Head Cap	2	151743
F3	Washer, 5/16 Split Lock	2	151747
F4	Washer, 5/16 SAE Flat	2	151754
G	Assembly, Motor Mount	1	155811-MK
G1	Motor Mount	1	157403
G2	Washer, 5/16 Split Lock	1	151747
G3	Screw, 5/16-18 X 2 1/2 Hex Head Cap, Full Thread	1	151748
G4	Screw, 1/4-20 X 1/2 Flat Head Phillips Cap	3	155812
G5	Tag, Serial Number, No Mark	1	157249-01
H1	Motor, 120v/4.7a,	1	157226
H2	Label, Caution, GFCI, 1 X 2 1/8	1	155678
H3	Label, Caution, Receptacle, 1 X 2 1/8	1	154822
H4	Screw, M5-.8 X 20mm Flat Head Phillips Machine	5	157404
H5	Nut, M5-.8 Hex	5	157405
H6	Flange, Blade	2	135830
H7	Nut, 5/8-18 UNF	1	135848
H8	Label, 377 Model	1	160031
H9	Label, Warning, Read Owner's Manual	1	155806

EXPLODED VIEW AND PARTS LIST

K	Assembly, Roller Wheel, Double	1	156586
K1	Bracket, Roller Wheel	1	156522
K2	Wheel, Roller	2	151799
K3	Screw, 1/4-20 X 1 1/2 Hex Head Cap	2	151914
K4	Washer, 1/4 SAE Flat	2	151915
K5	Nut, 1/4-20 Hex	2	151893
L	Assembly, Splash Curtain	1	155901-MK
L1	Curtain, Splash	1	134841
L2	Bracket, Splash Curtain	1	155901
L3	Washer, 1/4 SAE Flat	1	151915
L4	Wing screw, 1/4-20 X 1/2	1	151888
M1	Table, Composite, 370/470	1	156536
M2	Screw, 5/16-18 X 1 Hex Head Cap	2	151743
M3	Washer, 5/16 Split Lock	2	151747
M4	Washer, 5/16 SAE Flat	2	151754
N	Assembly, PES-100 120v Water Pump	1	155987-MK
N1	Pump, Water, PES-100 120v	1	155987
N2	Hose, Vinyl, 1/4 ID	2'	132951
N3	Clamp, Flow, 1/4-1/2	1	154394