



MK- 5009G / 5013G

**GAS POWERED BLOCK SAW
OWNER'S MANUAL &
OPERATING INSTRUCTIONS**



CAUTION:

Read all safety and operating instructions before using this equipment

Enter the Serial Number of your new saw in the space below. The Serial Number is located on the left side of the blade guard.

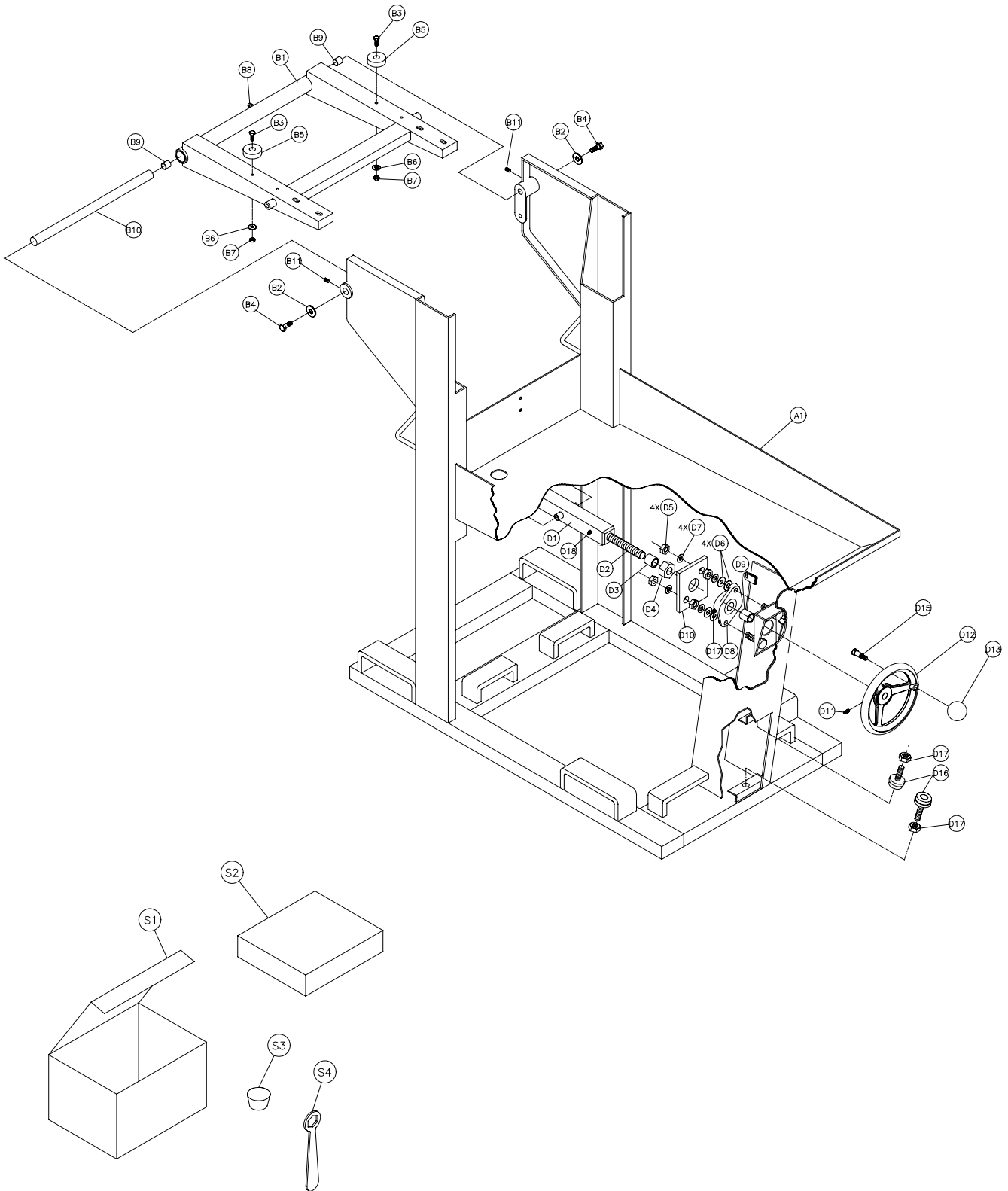
SERIAL NUMBER:

NOTE:

For your (1) one year warranty to be effective, complete the warranty card (including the Serial Number and mail it in as soon as possible.

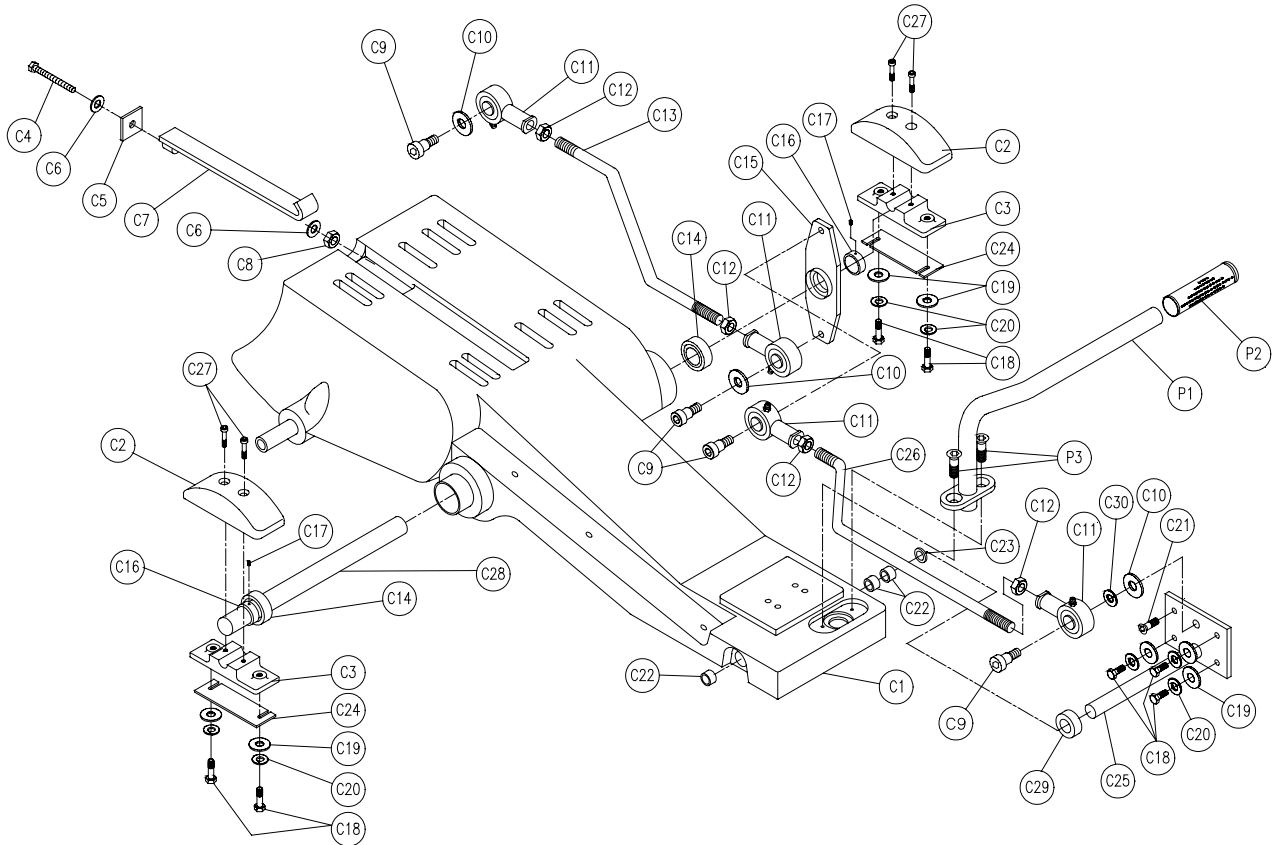
EXPLODED VIEW AND PARTS LIST

EXPLODED VIEW:

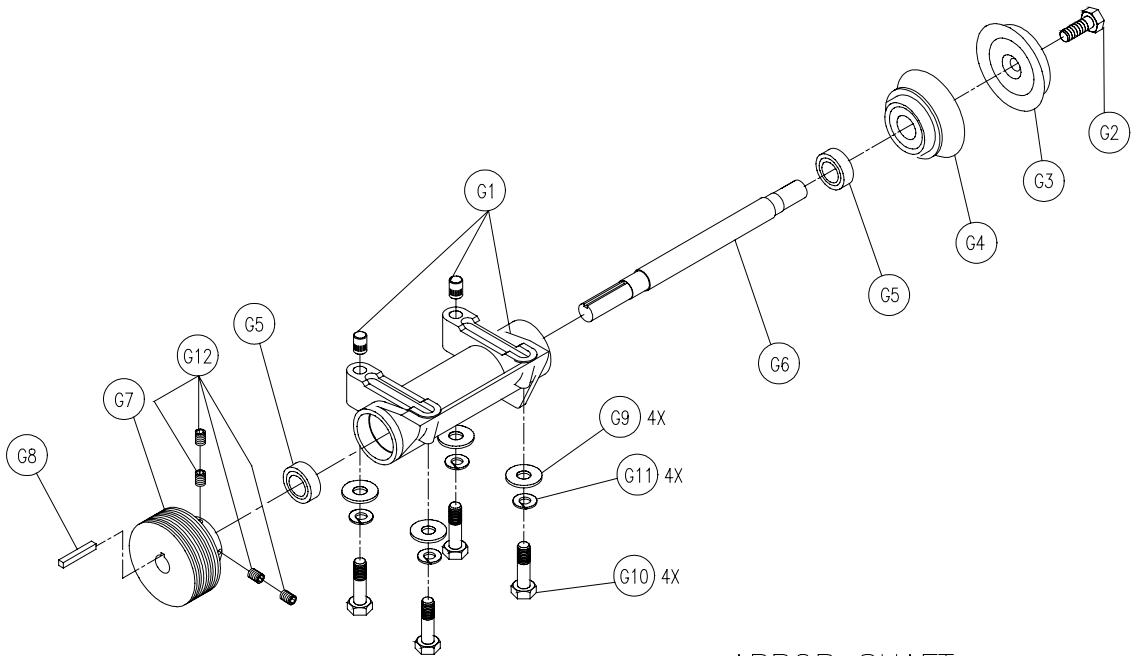


ACCESSORIES

EXPLODED VIEW AND PARTS LIST

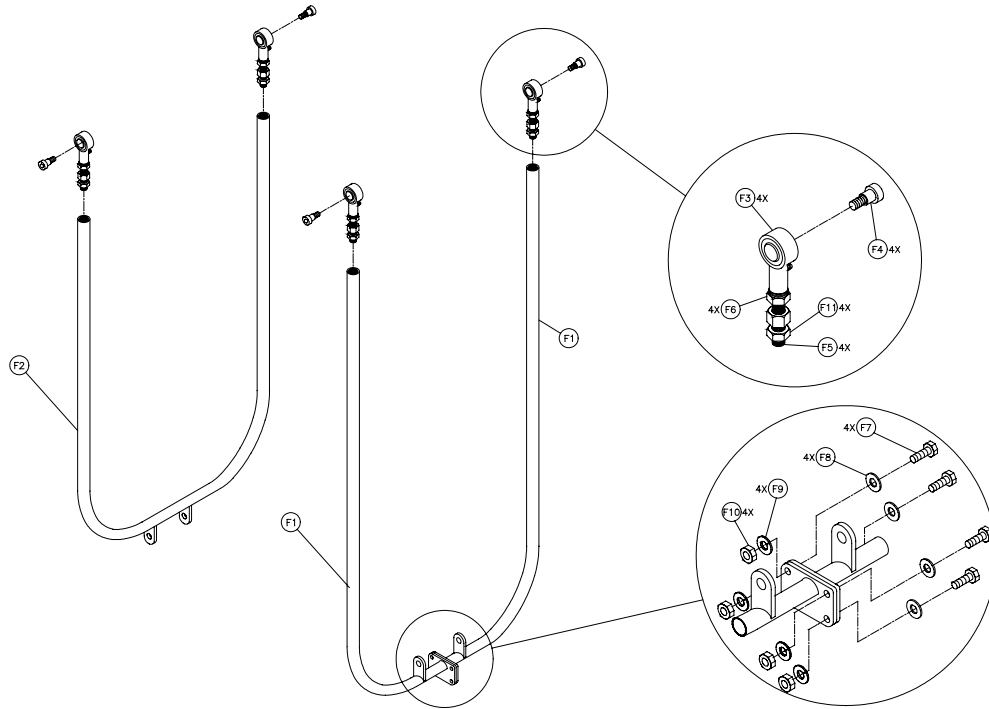


CUTTING HEAD

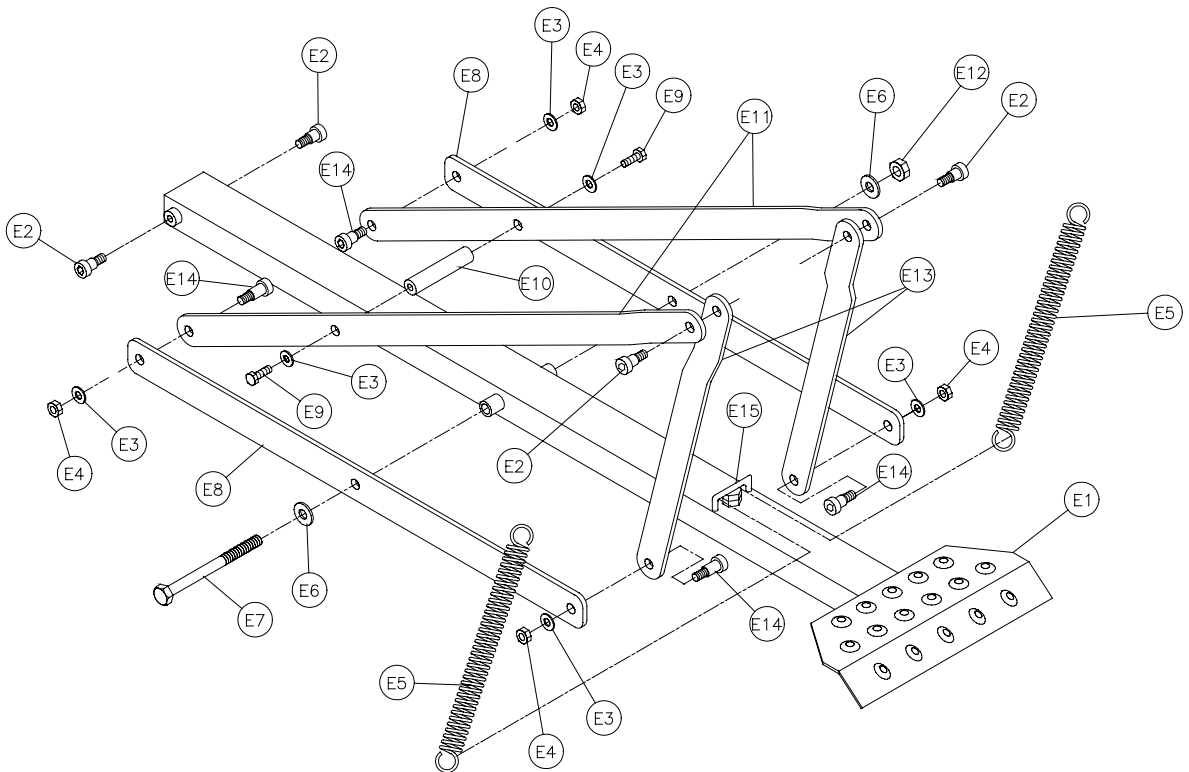


ARBOR SHAFT

EXPLODED VIEW AND PARTS LIST

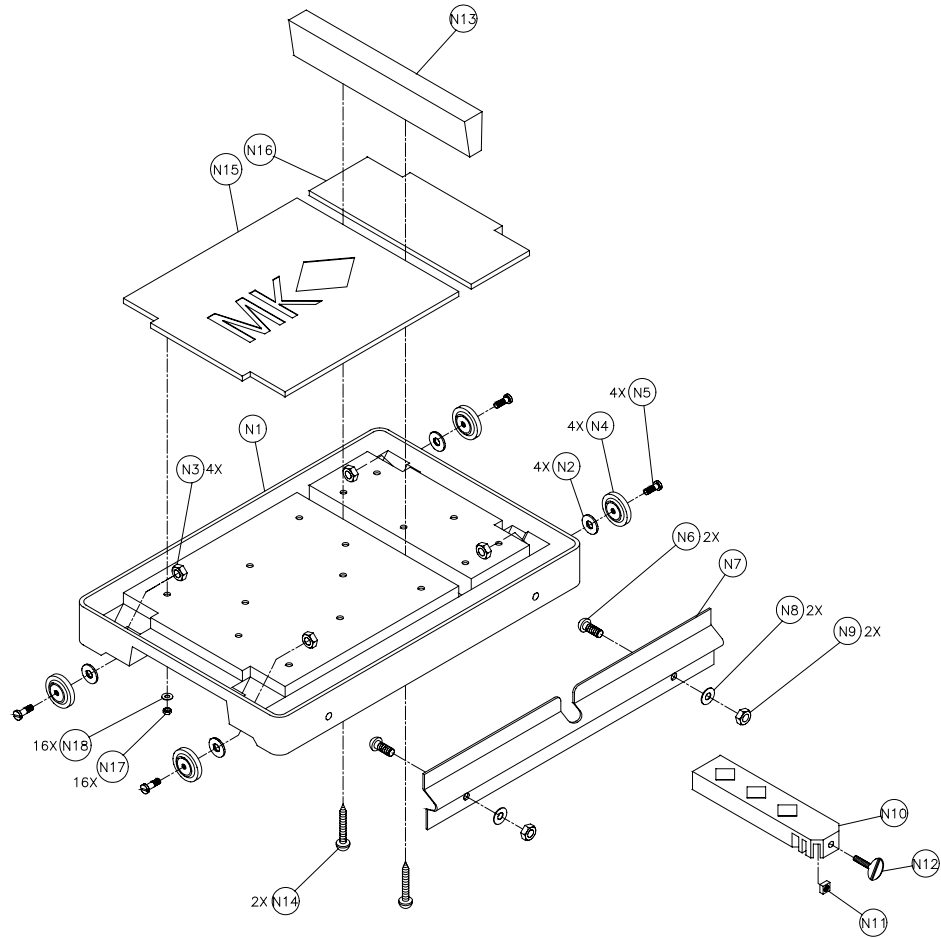


CONNECTING LINKAGE

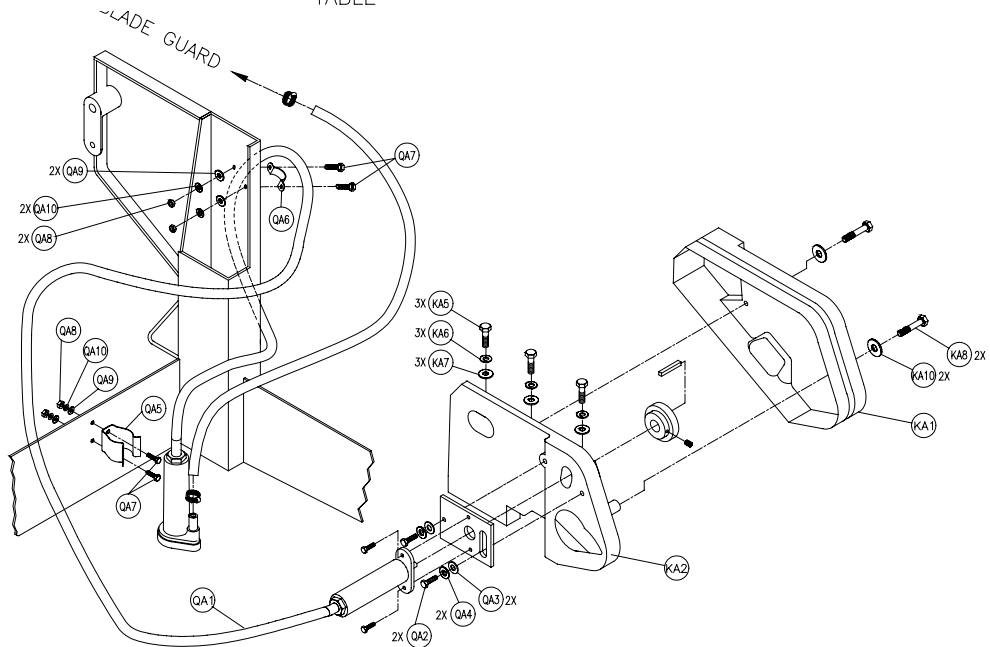


FOOT PEDAL LINKAGE

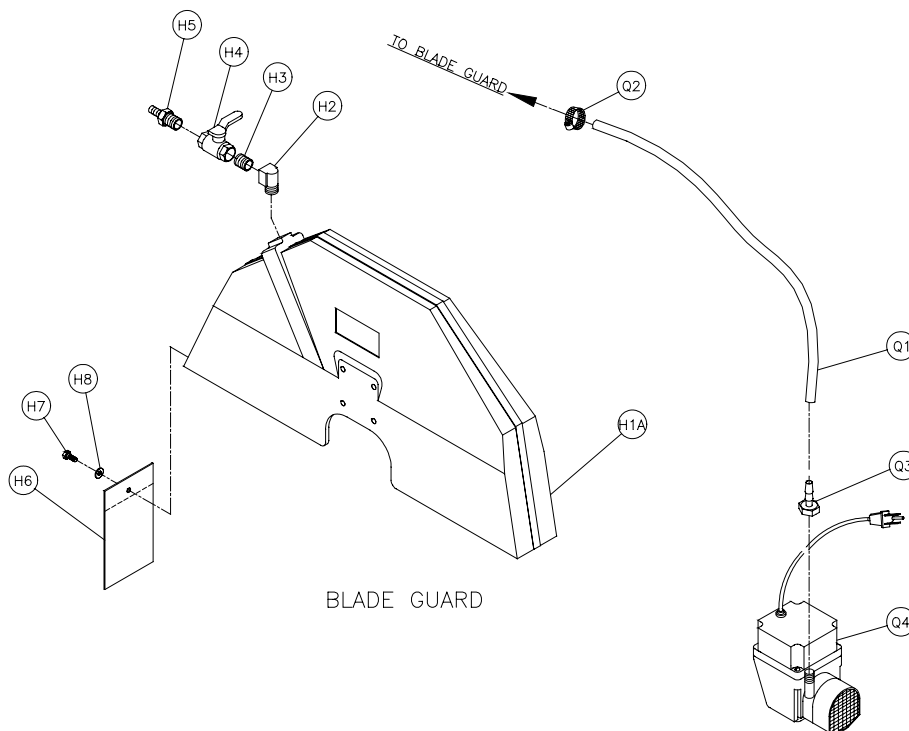
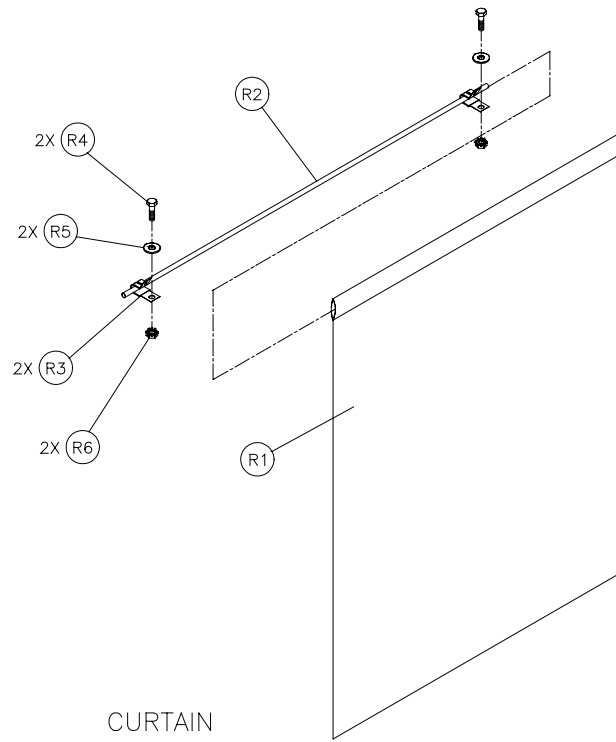
EXPLODED VIEW AND PARTS LIST



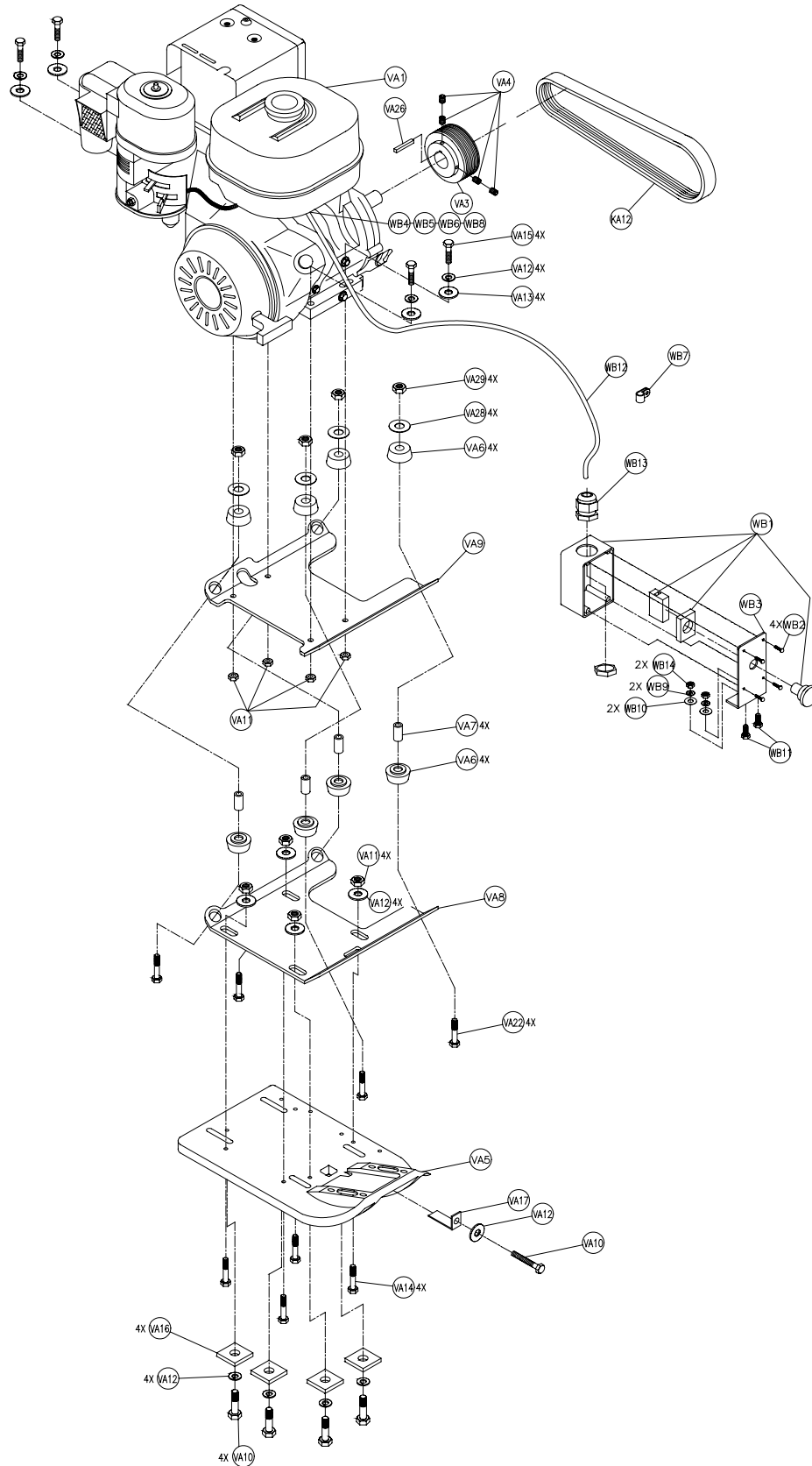
TABLE



EXPLODED VIEW AND PARTS LIST



EXPLODED VIEW AND PARTS LIST



EXPLODED VIEW AND PARTS LIST

PARTS LIST:

Item	Description	Qty	Part #
A	Frames	-	-
-	Assembly, MK-5000 Frame	-	154629
A1	Frame, MK-5000 Main	1	155541
B	Pivot Bracket	-	-
B1	Bracket, Elevation Pivot	1	156285
B2	Washer, 3/8 ID x 1-1/2 OD, Fender Washer	2	158523
B3	Screw, 1/4-20 x 1/2 Hex Head	2	152608
B4	Screw, 3/8-16 x 3/4 Hex Head	2	153527
B5	Bumper, 1/4 ID x 1-1/2 OD x 3/4	2	154496
B6	Washer, 1/4 SAE Flat	2	151915
B7	Nut, 1/4-20 Hex	2	151893
B8	Fitting, Grease (zerk)	1	153852
B9	Bushing, 1 x 1-1/4 x 2 MIS	2	154571
B10	Shaft, Pivot Arm MK-5000	1	155880
B11	Screw, 1/4-20 x 1/4 Socket Head Set, Cone point	2	153864
C	Cutting Head MK-5000	-	-
C1A	Casting, Cutting Head (comp)	1	155783
C2	Cover, 5000 Mounting Block (Comp)	2	156265
C3	Casting, 5000, Mounting Block (Comp)	2	155762
C4	Bolt, 3/8- 16 x 4-1/2 Hex Head Tap	1	153110
C5	Washer, 1-1/4 x 1-1/4 Square	1	157567
C6	Washer, 3/8 SAE Flat	2	150923
C7	Strap, Motor Adjustment	1	153611
C8	Nut, 3/8- 16 UNC	1	101188
C9	Screw, 1/2 x 1/2 Socket Head Shoulder	4	151753
C10	Washer, 1/2 SAE Flat	3	150924
C11	Joint, 1/2- 20, Female Spherical (RH)	4	154387
C12	Nut, 1/2- 20 Jam (RH)	4	154460
C13	Arm, Rear Connecting	1	158563
C14	Bearing, Ball 5/8 ID x 1-3/8 OD	2	140004
C15	Crank, Bell	1	157426
C16	Collar, Stop 5/8 ID x 1-1/8 OD x 1/2	2	140012
C17	Screw, 5/16-18 x 1/4, Socket Head Set	2	152607
C18	Screw, 5/16 x 18 x 1, Hex HD Cap	7	151743
C19	Washer, 5/16 SAE Flat	7	151754
C20	Washer, 5/16 Split Lock	7	151747
C21	Screw, 5/16-18 x 1 Flat, Socket HD Cap	1	155552
C22	Bushing, .75 x .875 x 1 Steel	3	160826
C23	Washer, Nylon .75 x 1.25 x .093	2	160827
C24	Shim, Mount Pivot Shaft Various	2	155905
C25	Shaft, Blade Guard Pivot	1	155886
C26	Link Rod, Blade Guard	1	158564
C27	Screw, 1/4- 20 x 1 Socket Head Cap	4	151049
C28	Shaft, Cutting Head Pivot	1	154828
C29	Collar, 3/4 Set	1	153814
C30	Washer, 3/8 Split Lock	1	150925
D	Depth Control	-	-
D1	Housing, Adjustment Shaft	1	152116
D2	Screw, 3/4- 6 x 10-7/8, Depth Control	1	150840

EXPLODED VIEW AND PARTS LIST

Item	Description	Qty	Part #
D3	Spacer, 3/4 ID x 1 OD x 3/4	1	156249
D4	Locknut, Feed Screw	1	158227
D5	Nut, 3/8- 16 Hex Hd.	4	101188
D6	Washer, 3/8 SAE Flat	4	150923
D7	Washer, 3/8 Split Lock	4	150925
D8	Bearing, Flange FC2-25 x 3/4 ID	1	152025
D9	Spacer , .76 ID x 1 OD x 1.187	1	156250
D10	Plate, Bearing Support	1	156278
D11	Screw, 3/8-16 X 1/2 Socket Head Set, cup point	1	153710
D12	Wheel, Depth Control (comp)	1	153646
D13	Knob, Ball, 2", 3/8-16 Insert	1	158519
D15	Screw, 1/2 x 3/4 Socket Head Shoulder	1	156177
D16	Bumper, 1-1/2 Dia. x 1/2- 13 x 3 Stud	2	158605
D17	Nut, 1/2- 13 Hex	2	151282
D18	Fitting, Grease	2	153852
DA	Depth Control Lock	1	157380
DA1	Knob, Depth Lock (comp)	1	155845
DA2	Washer, Thrust 1"OD X 3/8" ID	1	155238
DA3	Lock, 5000GH Depth Control Wheel	1	157336
DA4	Bolt, Hex Head Tap, 3/8-16 x 3	1	155830
DA5	Nut, Hex, 3/8-16	1	101188
E	Foot pedal Linkage	-	-
E1	Foot pedal and Bar, 5000 Block Saw	1	160139
E2	Screw, 1/2 x 1/2 Socket Head Shoulder	4	151753
E3	Washer, 3/8 SAE Flat	6	150923
E4	Nut, 3/8-16 Center Lock	4	153522
E5	Spring, Foot pedal	2	152115
E6	Washer, 1/2 SAE Flat	2	150924
E7	Screw, 1/2-13 x 5-1/2 Hex Head Cap	1	158526
E8	Linkage, Pedal Horizontal	2	152112
E9	Screw, 3/8- 16 x 1 Hex Head Cap	2	152507
E10	Pedal, Shaft Tie	1	156259
E11	Linkage, Pedal Diagonal	2	152113
E12	Nut, 1/2- 13 Center Lock	1	156238
E13	Linkage, Pedal Vertical	2	152114
E14	Screw, 1/2 x 3/4 Socket Head Shoulder	4	156177
E15	Hook Bolt, Weldment, 5000 Block Saw	1	160141
F	Connecting Linkage	-	-
F1	Link, Front Connecting	2	156253
F2	Link, Rear Connecting	1	156252
F3	Joint, 1/2- 20 Female Spherical (RH)	4	154387
F4	Bolt, 1/2 x 1/2 Socket Head Shoulder	4	151753
F5	Screw, Adjustment	4	154433
F6	Nut, 1/2- 20 Jam	4	154460
F7	Bolt 5/16- 18 x 1 Hex HD	4	151743
F8	Washer, 5 /16 SAE Flat	4	151754
F9	Washer, 5/16 Split Lock	4	151747
F10	Nut, 5/16- 18, Hex HD	4	101196
F11	Nut, 1/2- 20 Jam (LH)	4	154461

EXPLODED VIEW AND PARTS LIST

Item	Description	Qty	Part #
G	Blade Shaft MK-5000	-	-
G1	Casting, Blade Shaft MK-5000 (comp)	1	154637
G2	Screw, 1/2- 20 x 1-1/4 Hex HD Cap	1	152122
G3	Flange, Blade Shaft Outer	1	132290
G4	Flange, Blade Shaft Inner	1	154640
G5	Bearing, Blade Shaft MK2000/5000	2	154594
G6A	Shaft, Blade 3/4 MK 5000	1	154639
G7A	Pulley, 16J28X.75 Bore	1	160362
G8	Key, 3/16 Square x 1-1/8	1	150344
G9	Washer, 5/16 SAE Flat	4	151754
G10	Screw, 5/16- 18 x 2-1/2, Hex HD	4	101675
G11	Washer, 5/16 Split Lock	4	151747
G12	Screw, 5/16- 18 x 3/16 Socket HD Set	4	151167
G13	Bolt, 1/2-13 x 2	4	153533
G14	Washer, 1/2 SAE	4	150924
G15	Washer, Lock, Split 1/2	4	153524
G16	Bearing, Pillow Block, 1.0 ID	2	157924
G17	Guard, Blade Shaft	1	160398
G18	Screw, Hex Head, 1/4-20 x 3/8	3	153526
H	Blade Guard MK-5000	-	-
H1A	Casting, Blade Guard, MK-5000 (comp) 20"	1	159674
H1B	Casting, Blade Guard, MK-5000 (comp) 24"	1	159324
H2	Elbow, 3/8 NPT 90 Brass Street	1	152074
H3	Nipple, 3/8 NPT x Close Brass	1	152073
H4	Valve, 3/8 Ball	1	152075
H5	Fitting, 3/8 MNPT x 3/8 BARB Brass	1	152076
H6	Guard, Splash	1	160310
H7	Screw, 1/4-20 x 5/8 Hex HD	1	150404
H8	Washer, 1/4 SAE Flat	1	151915
KA	Belt Guards, Gas	-	-
KA1	Casting, Belt Guard, Motor, Outer (comp)	1	156149
KA2	Casting, Belt Guard, Motor, Inner (comp)	1	156148
KA3	Casting, Belt Guard, Arbor, Outer (comp)	1	156146
KA4	Casting, Belt Guard, Arbor, Inner (comp)	1	156147
KA5	Screw, Hex Head 3/8-16 x 1-1/4	3	150774
KA6	Washer, Lock, Split 3/8	3	150925
KA7	Washer, Flat, SAE 3/8	3	150923
KA8	Screw, Hex Head 5/16-18 x 2-1/2	4	101675
KA9	Washer, Lock, Split 5/16	4	151747
KA10	Washer, Flat, SAE 5/16	4	151754
KA11	Screw, Hex Head 5/16 x 1-1/4	2	153950
KA12	Belt, Micro-V 16J270	1	160366
KA13	Belt, Micro-V 16J430	1	160367
N	Assembly, 5000 Table	1	152124
N1	Casting, 5000 Table (comp)	1	152455
N2	Washer, 5/16 SAE Flat	4	151754
N3	Nut, 5/16-18 Hex	4	101196
N4	Wheel, Roller	4	152493
N5	Stud, Roller Wheel	4	152494
N6	Bolt, Carriage 7/16-14 x 1-1/4	2	152423
N7	Backstop, Rule Conveyor Cart	1	152126

EXPLODED VIEW AND PARTS LIST

Item	Description	Qty	Part #
N8	Washer, 7/16 Split Lock	2	152424
N9	Nut, 7/16-14 Hex	2	150922
N10	Casting, Squaring Arm (comp)	1	132332
N11	Nut, 5/16- 18 Square	1	151156
N12	Screw, Thumb, 5/16- 18 x 1-1/2	1	151155
N13	Wood Strip, Table Insert 5000	1	157748
N14	Screw, #6 X 1 Bugle Head Phillips Drywall	2	159906
N15	Mat, 5000 Table (large)	1	160165
N16	Mat, 5000 Table (small)	1	160166
N17	Nut, 1/4-20 Nylock	16	159857
N18	Washer, 3/8 SAE Flat	16	150923
P	Handles	-	-
P1A	Handle, Cutting Head 20"	1	155851
P1B	Handle, Cutting Head 24"	1	155613
P2	Handgrip, 7/8"	1	139949
P3	Screw, 3/8- 16 x 1 Flat Socket HD Cap	2	154019
QA	Water Pump, Mechanical	-	-
QA1	Assembly, Pump, Water, 5000 Gas	1	152355
QA2	Screw, Hex Head Cap 3/8-16X1	2	152507
QA3	Washer, Flat SAE 3/8	2	150923
QA4	Washer, Lock, Split 3/8	2	150925
QA5	Clamp, Spring	1	152453
QA6	Clamp, Cushion Loop, 3/8	1	152592
QA7	Screw, Phil, Self Tap 10-24 x 5/8	4	153681
QA8	Nut, 10-24	4	151749
QA9	Washer, Flat, #10 SAE	4	154369
QA10	Washer, Lock, Split #10 Plated	4	153684
R	Curtain	-	-
R1	Curtain, Splash, MK-5000	1	160764
R2	Rod, Splash Curtain	1	160711
R3	Clamp, Cushion Loop	2	152592
R4	Screw, 1/4- 20 x 3/4 Hex HD	2	152370
R5	Washer, 1/4 Flat SAE	2	151915
R6	Nut, Hex, Kep 1/4- 20	2	153941
S	Accessory Pack	-	-
S1	Carton, Accessory Pack MK-5000	1	152432
S2	Insert, Accessory Pack MK-5000	1	152433
S3	Plug, Rubber Drain	1	153439
S4	Wrench, Masonry Saw	1	134056
S5	MK-5005S Owners Manual	1	158769
S6	Blade, MK-799DE	1	158237
T	Carton	-	-
T1	Carton, 5000	1	152994
T2	Pallet, 5000	1	152072
VA	Engines	-	-
VA1A	Engine, 9Hp, Gasoline, Honda, Cyclone	1	155396
VA1B	Engine, 13Hp, Gasoline, Honda, Cyclone	1	155365
VA2	Deflector	1	155375

EXPLODED VIEW AND PARTS LIST

Item	Description	Qty	Part #
VA3	Pulley, 16J18X1.0 Bore	1	160365
VA4	Screw, 5/16- 18 x 3/16 Socket HD Set	12	151167
VA5	Casting, Engine Mounting (comp)	1	156140
VA6	Shock Mount, Rubber (MMC#64865K85)	8	156105
VA7	Shock Mount, Stand Off (5/8 X 3/8 TBG x 1.4)	4	156104
VA8	Mount, Engine, Lower Plate	1	158738
VA9	Mount, Engine, Upper Plate	1	158737
VA10	Screw, Hex Head 3/8-16x 1-3/4	4	150920
VA11	Nut, Hex 3/8-16	8	101188
VA12	Washer, Lock, Split 3/8	12	150925
VA13	Washer, Flat Cut 3/8	13	150923
VA14	Screw, Hex Head 3/8-16 x 1-1/4	4	150774
VA15	Screw, Hex Head Cap 3/8-16 x 2	5	153485
VA16	Washer, Square 1-1/4 x 1-1/4	4	157567
VA17	Belt Tensioner	1	160432
VA18	Bearing, Blade Shaft MK2000/5000	2	154594
VA19	Pulley, 16J28X.75 Bore	1	160362
VA20	Pulley, 16J20X.75 Bore	1	160364
VA21	Shaft, Jack	1	156117
VA22	Screw, Hex Head 5/16-18 x 2-1/2	8	101675
VA23	Washer, Split, Lock 5/16	4	151747
VA24	Washer, Flat SAE 5/16	4	151754
VA25	Casting, Blade Shaft MK-5000 (comp)	1	154637
VA26	Key, 1/4 x 1/4 x 1-3/4 Square	1	150796
VA27	Key, 3/16 X 3/16 X 1-3/4	2	157561
VA28	Washer, Fender 5/16 ID x 1-1/2 OD	4	101527
VA29	Nut, Hex 5/16-18	4	101196
VA30	Label, Danger, California, 1.5 X 3.0	1	155581
VA31	Label, Caution, Hot Surface, 1.5 X 3.0	1	155578
VA32	Label, Danger, Lethal Exhaust, 1.5 X 3.0	1	155582
VA33	Label, Warning, Refueling, 1.5 X 3.0	1	155580
VA34	Label, Caution, Safety	1	155576
VA35	Tag, Serial Number	1	157500
WB	Switch, Emergency Stop, Gasoline	-	-
WB1	Assembly, Switch MK-2000/5000	1	157390
WB2	Screw, Pan Head, Phillips 6-32 x 5/8	4	157393
WB3	Bracket, Cover/Mounting 2000/5000	1	157389
WB4	Terminal, Disconnect, male 5000	1	152426
WB5	Connector, Bullet Receptacle	1	152425
WB6	Terminal, 14/16 Ga x #10 Ring	1	154540
WB7	Clamp, Cushion Loop 3/8"	1	152592
WB8	Screw, Hex Head 1/4-20 x 1/2	1	152608
WB9	Washer, Lock, Split 1/4	3	152591
WB10	Washer, Flat SAE 1/4"	2	151915
WB11	Screw, Hex Head 1/4-20 x 1-1/4	2	157145
WB12	Cord, Elec SO 16/2	3 ft	152422
WB13	Connector, Cable, 3/8"	1	152466
WB14	Nut, Hex 1/4-20	2	151893