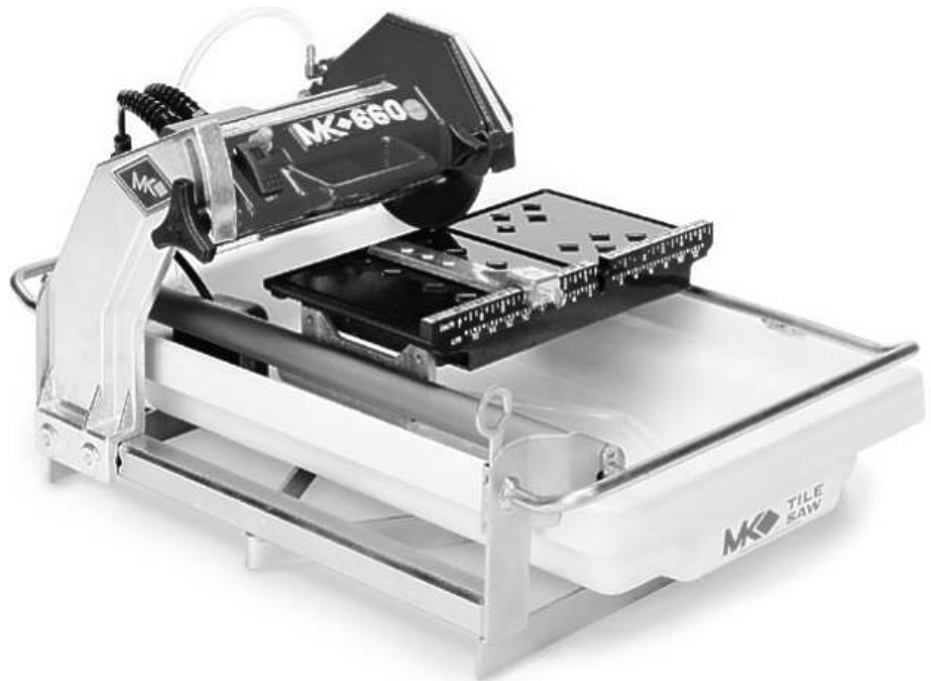




MK-660 SERIES

**TILE SAW
OWNER'S MANUAL &
OPERATING INSTRUCTIONS**



CAUTION:
Read all safety and
operating instructions
before using this
equipment

Enter the Serial Number of your new saw in the
space below. The Serial Number is located on the
rear of the Cutting Head.

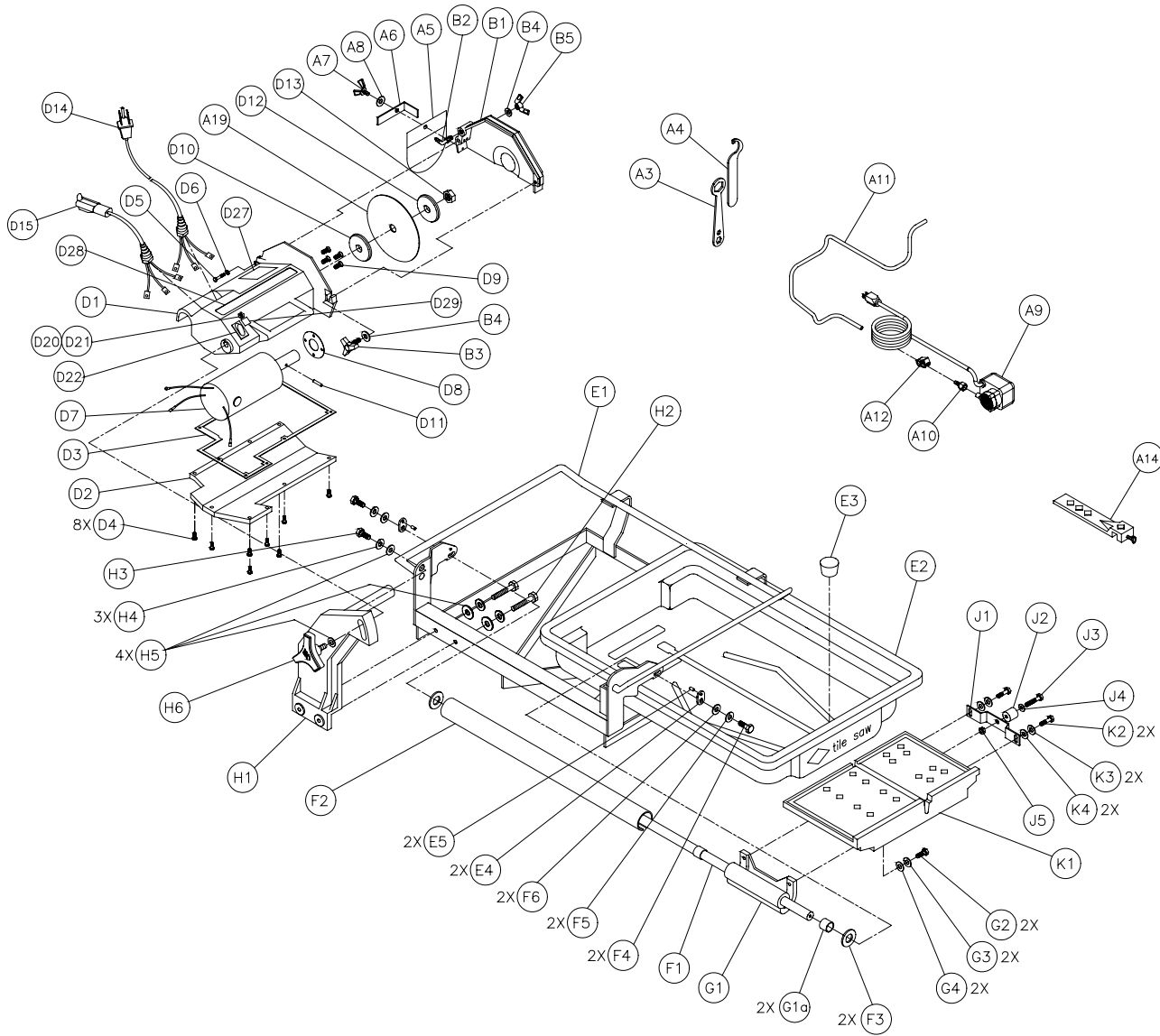
SERIAL NUMBER:

NOTE:

For your (1) one year warranty to be effective,
complete the warranty card (including the Serial
Number and mail it in as soon as possible.

EXPLODED VIEW AND PARTS LIST

EXPLODED VIEW:



EXPLODED VIEW AND PARTS LIST

PARTS LIST:

Item	Description	Qty	Part #
A	Accessories	1	n/a
A1	Carton, Accessory Pack, 660	1	153498
A3	Wrench, 15/16 Closed End	1	134684
A4	Wrench, Spanner, 660	1	154362
A5	Curtain, Splash	1	134841
A6	Bracket, Splash Curtain	1	152571
A7	Wing-screw, 1/4-20 x 1/2	1	151888
A8	Washer, 1/4 SAE Flat	1	151915
A9	Pump, Water, G-150A	1	151271
A10	Fitting, Plastic, 1/4 FNPT x 1/4 BARB	1	128397
A11	Hose, Vinyl, 1/4 ID	2'	132951
A12	Clamp, Flow, 1/4-1/2	1	154394
A13	Owner's Manual, Water Pump	1	155745
A14	Rip Guide	1	134551
	Screw, 1/4-20 x 3/4 Thumb	1	150991
A15	Large Bullnose Accessory	1	153201
	Screw, 1/4-20 x 3/4 Thumb	2	150991
A16	Owner's Manual, 660	1	153461
A19	Blade, 7 x 060 x 5/8, MK-100	1	153441
B	Blade Guard, 7", Assembly	1	154811-MK
B1	Guard, 7"Blade	1	151731
B2	Elbow, 1/8 MNPT x 1/4 BARB 90° Brass	1	154652
B3	Knob, Davies	1	151681
B4	Washer, 5/16 SAE Flat	2	151754
B5	Wing-nut, 5/16-18 Nylock	1	151746
D	Cutting Head (less blade guard)	1	n/a
D1	Cutting Head, 660	1	154291
D2	Cover, Cutting Head, 660	1	154293
D3	Gasket, Cover, 660	1	154381
D4	Screw, 10-24 x 5/8 Pan Head Phillips Self-Tapping Machine	8	153681
D5	Screw, 5/16-18 x 2 1/2 Hex Head Cap, Fully Threaded	1	151748
D6	Washer, 5/16 Split Lock	1	151747
D7	Motor, 3/4 HP 115V FWR, 660	1	154292
D7A	Motor, 3/4 HP 230V FWR, 660	1	153497
D8	Gasket, Thermal, 660	1	154346
D9	Screw, 10-24 x 5/8 Flat Head Phillips Machine	4	154295
D10	Flange, Inner, 660	1	154194
D11	Pin, 1/8 x 3/8 Spring	1	154982
D12	Flange, Outer	1	135830
D13	Nut, 5/8-18 UNF Hex	1	135848
D14	Cord, AC Power 120V (16/3 SJTW x 10', w/ molded 5-15P and Heyco 3251 Strain Relief)	1	153419
D15	Cord, Pump Pigtail, 16/3 SJTW x 1', w/ molded 5-15R and Heyco 3251 Strain Relief	1	154446
D16	Wire Harness, 660	1	153415
D17	Screw, 10-24 x 3/8 Pan Head Phillips Self-Tapping Machine	1	151262
D18	Resistor, 660	1	153535
D19	Tack, 1/4 Head	4	155659
D20	Switch, Thermal Overload, 660	1	153420

EXPLODED VIEW AND PARTS LIST

Item	Description	Qty	Part #
D21	Boot, Thermal Overload Switch	1	154468
D22	Switch, 15A\125V Lighted Rocker	1	156917
D23	Rectifier, 40 Amp	1	153677
D24	Screw, 10-24 x 3/4 Fillister Head Machine	1	151750
D25	Wire-nut, 3/#16 AWG (Blue)	1	155492
D26	Tag, 660 Serial Number	1	156561
D27	Label, Caution Strip	1	155214
D28	Label, When Motor Cools...	1	154409
E	Frame	1	n/a
E1	Frame	1	153322
E2	Pan, Plastic	1	151736
E3	Plug, Water Drain	1	153439
E4	Plate, Adjustment	2	151758
E5	Pin, Rolled	2	151783
F	Guide Bar, 5/8 Dia.	1	151739-MK
F1	Bar, Guide, 5/8 Dia.	1	151739
F2	Cover, Guide Bar	1	151740
F3	Spacer, 5/8 Guide Bar Cover	2	151755
F4	Screw, 5/16-18 x 1 Hex Head Cap	2	151743
F5	Washer, 5/16 Split Lock	2	151747
F6	Washer, 5/16 SAE Flat	2	151754
G	Linear Bearing	1	151737-MK
G1	Casting, Bearing, Linear	1	151737
G1a	Bearing, Multi-Lube	2	157126
G2	Screw, 5/16-18 x 1 Hex Head Cap	2	151743
G3	Washer, 5/16 Split Lock	2	151747
G4	Washer, 5/16 SAE Flat	2	151754
H	Post	1	n/a
H1	Post, Rear, 660	1	153451
	Shaft, 5/8 Pivot, 660	1	153452
H2	Screw, 3/8-16 x 2 Hex Head Cap	2	153485
H3	Screw, 3/8-16 x 1 Hex Head Cap	1	152507
H4	Washer, 3/8 Split Lock	3	150925
H5	Washer, 3/8 SAE Flat	4	150923
H6	Knob, 3/8-16 x 1-1/2 MK Adjustment	1	156770-02
J	Roller Wheel	1	151756
J1	Bracket, Roller Wheel	1	154021
J2	Wheel, Roller	1	151799
J3	Screw, 1/4-20 x 1 1/2 Hex Head Cap	1	151914
J4	Washer, 1/4 SAE Flat	1	151915
J5	Nut, 1/4-20 Hex	1	151893
K	Table, 660	1	n/a
K1	Table, 660	1	152680
K2	Screw, 5/16-18 x 1 Hex Head Cap	2	151743
K3	Washer, 5/16 Split Lock	2	151747
K4	Washer, 5/16 SAE Flat	2	151754