



BX-3 BRICK XTREME

**DRY BRICK SAW
OWNER'S MANUAL &
OPERATING INSTRUCTIONS**



CAUTION:
Read all safety and
operating instructions
before using this
equipment

Enter the Serial Number of your new saw in the
space below. The Serial Number is located on the
left side of the blade guard.

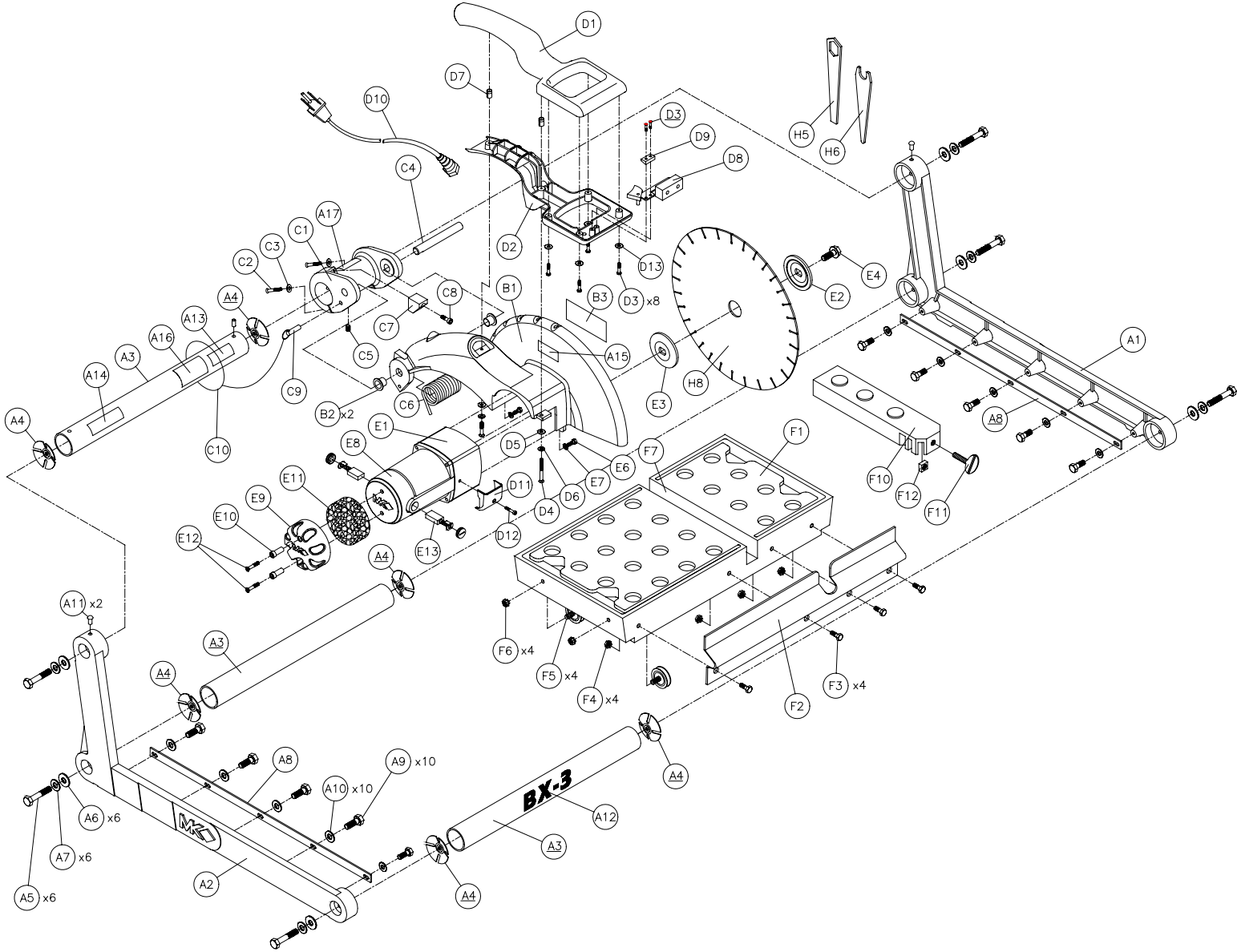
SERIAL NUMBER:

NOTE:

For your (1) one year warranty to be effective,
complete the warranty card (including the Serial
Number) and mail it in as soon as possible.

EXPLODED VIEW AND PARTS LIST

EXPLODED VIEW:



EXPLODED VIEW AND PARTS LIST

PARTS LIST:

Item	Description	Qty	MK p/n
A	Assembly, Frame, Right	1	n/a
A1	Casting, Frame, Right	1	157367
A2	Casting, Frame, Left	1	157369
A3	Support, Horizontal Frame	3	157384
A4	Tube Connector, ¼-20	6	157930
A5	Screw, ¼-20 x 1 ½ Hex Head Cap	6	151914
A6	Washer, ¼ SAE Flat	6	151915
A7	Washer, ¼ Split Lock	6	152591
A8	Strap, Table Guide Rail	2	157383
A9	Screw, ¼-20 x ¾, Hex Head Cap	10	152370
A10	Washer, ¼ Split Lock	10	152591
A11	Drive Stud, Round Head Grooved #16 (¼) x ½	2	158071
A12	Label, Adhesive "BX3"	1	157959
A13	Label, Safety Caution	1	155576
A14	Label, MK USA	1	154334
A15	Tag, Serial, Brick Saw	1	158096
A16	Label, Prop 65	1	154337
A17	Label, Warning, Extension Cord	1	155672
B	Assembly, Arm, Motor Mount	1	n/a
B1	Casting, Arm, Motor Mount	1	157599
B2	Bushing, Nylon Flange	2	157932
B3	Label, Adhesive "Brick Xtreme"	1	157958
C	Assembly, Pivot Clamp	1	n/a
C1	Casting, Pivot Clamp	1	157593
C2	Screw, ¼-20 x 1 ¼ Socket Hd. Cap	2	154683
C3	Washer, ¼ Split Lock	2	152591
C4	Pin, Pivot Ø.625 x 5.6	1	157645
C5	Screw, Set ¼-20 x ¼ Cup Point	1	157528
C6	Spring, Torsion	1	157702
C7	Stop Block	1	158226
C8	Screw, ¼-20 x 5/8, Socket Hd Cap	1	152587
C9	Pin, Detent w/ Pull Ring	1	157933
C10	Lanyard	1	158072
D	Assembly, Handle & Switch	1	n/a
D1	Handle, Upper	1	157874
D2	Handle, Lower	1	157875
D3	Screw, M3.5 x 12mm	8	158156
D4	Screw, ¼-20 x ¾, Socket Hd. Cap	2	152587
D5	Washer, ¼ SAE, Flat	2	151915
D6	Washer, ¼ Split Lock	2	152591
D7	Insert, Expansion, ¼-20 Standard	2	158147
D8	Switch, Trigger	1	157934
D9	Plate, Screw, Switch Mounting	1	157876
D10	Cord, AC Power 120V	1	157935
D11	Cover, Wire	1	157880
D12	Screw, # 6-32 x 1 ¼, Socket Flat Head	1	158160
D13	Washer, #6 Flat SAE	5	158231
E	Assembly, Motor	1	n/a
E1	Motor, AC 115 Volt / 15 Amp, 3500 RPM	1	157801-R
E2	Flange, Outer	1	158105

EXPLODED VIEW AND PARTS LIST

Item	Description	Qty	MK p/n
E3	Flange, Inner	1	158106
E4	Screw, M10 – 1.5 x 20mm Hex Flange	1	158107
E6	Screw, M6-1 x 20mm Hex Head Cap	4	158158
E7	Washer, M6 Split Lock	4	158159
E8	Cap, Motor	1	157877
E9	Cap, Motor Filter	1	157878
E10	Spacer Pin, Cap Screw	2	157879
E11	Filter Element	1	157729
E12	Screw, #6 x 1 ½, Combo Head Pan, Tapping	2	158157
F	Assembly, Table	1	133082
F1	Casting, Table	1	158144
F2	Stop, Rule	1	134387
F3	Screw, ¼-20 x ¾ Hex Head Cap	4	152370
F4	Nut, ¼-20, Hex w/ External Tooth Washer	4	153941
F5	Wheel, Roller	4	133090
F6	Nut, 5/16-18, Hex w/ External Tooth Washer	4	151051
F7	Wood Strip, Table Insert	1	156427
F8	Screw, #8 x 1 Pan Head Phil.	2	151047
F10	Casting, Squaring Arm	1	231276
F11	Screw, 5/16-18 x 1 ½, Thumb	1	151155
F12	Nut, 5/16-18 Square	1	151156
H	Assembly, Accessory Pack	1	n/a
H5	Wrench, Blade Nut	1	158109
H6	Wrench, Shaft	1	158110
H7	Extra Filter Element	1	157729
H8	Blade, MK-BX10, Dry Cutting 14", Segmented	1	157957
H8-A	Blade, MK-BX30, Dry Cutting 14", Segmented Block	1	157944
	Owner's Manual	1	158168