

**MODEL MK-MANTA II
CORE DRILL
OWNER'S MANUAL
PARTS LIST &
OPERATING
INSTRUCTIONS**



CAUTION
**READ SAFETY
AND GENERAL
INSTRUCTIONS
CAREFULLY
BEFORE USING
SAW FOR THE
FIRST TIME.**

**PLEASE RECORD THE SERIAL NUMBER OF
YOUR DRILL IN THIS BLOCK.**

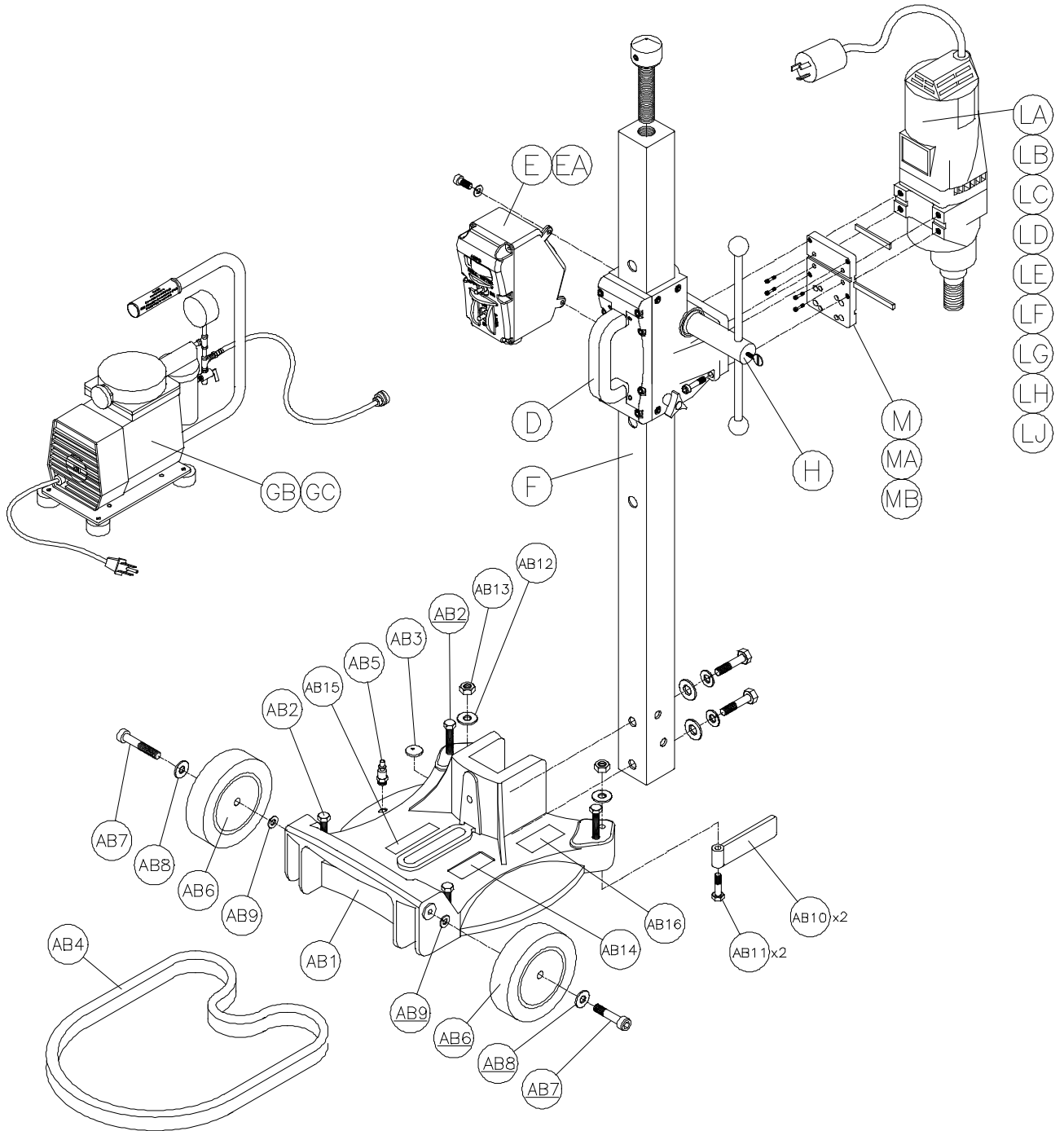
SERIAL NUMBER

**FOR YOUR ONE (1) YEAR WARRANTY TO
BE EFFECTIVE, COMPLETE THE WARRANTY
CARD (INCLUDE THE SERIAL NUMBER) AND
MAIL IT IN AS SOON AS POSSIBLE.**

Manual Part No. 161116
Revision 03/05

MK-MANTA II

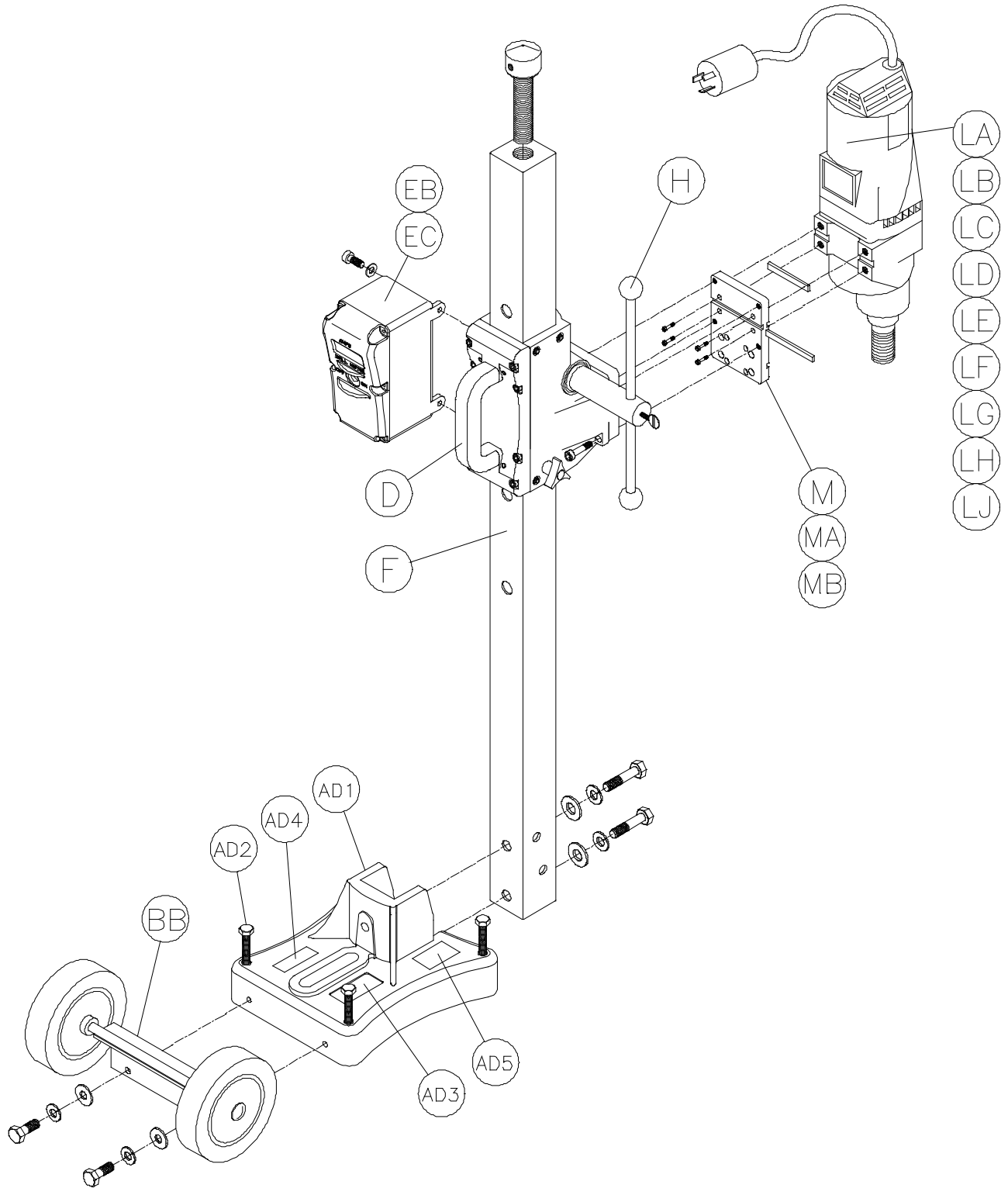
MANTA II COMBO EXPLODED VIEW AND PARTS LIST



MANTA II COMBO
W/ 2 1/2 COLUMN

EXPLODED VIEW

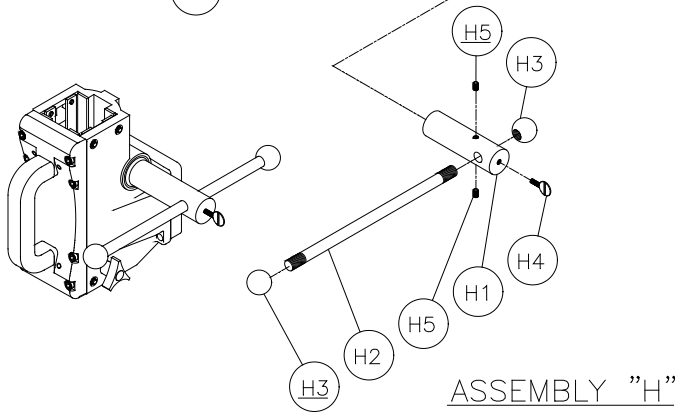
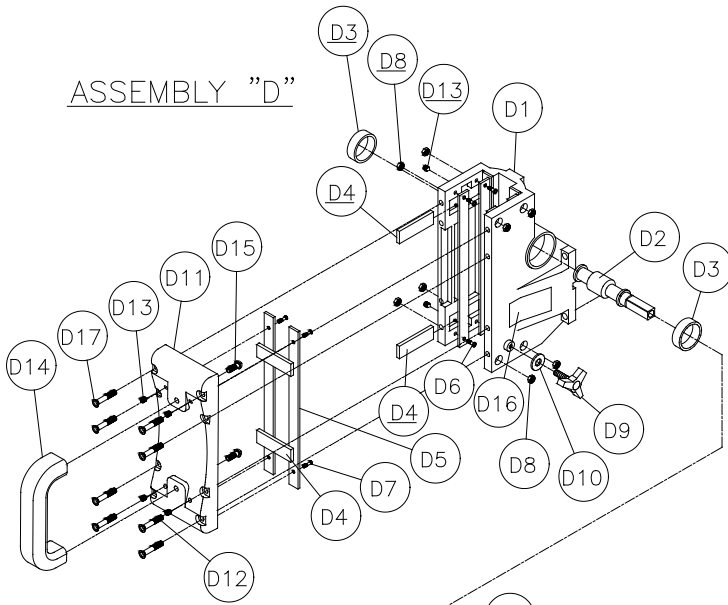
MANTA II EXPLODED VIEW



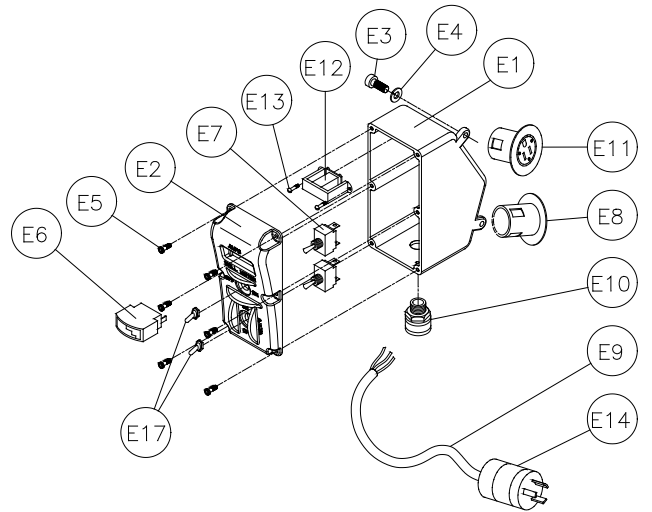
MANTA II ANCHOR

MANTA II EXPLODED VIEW (cont...)

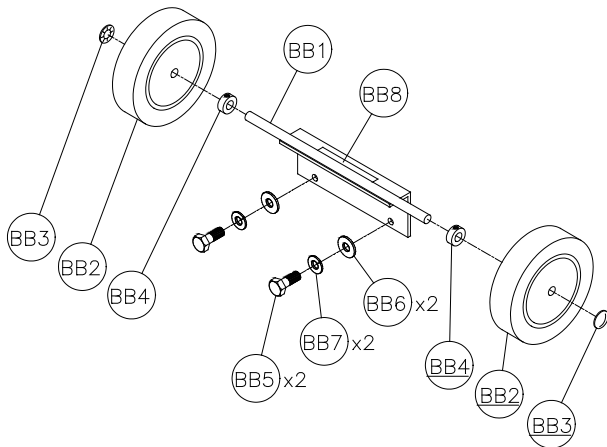
ASSEMBLY "D"



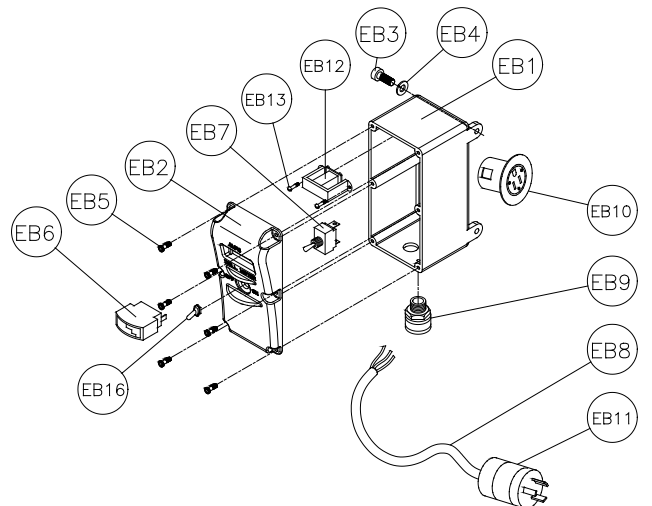
ASSEMBLY "H"



ASSEMBLY "E & EA"

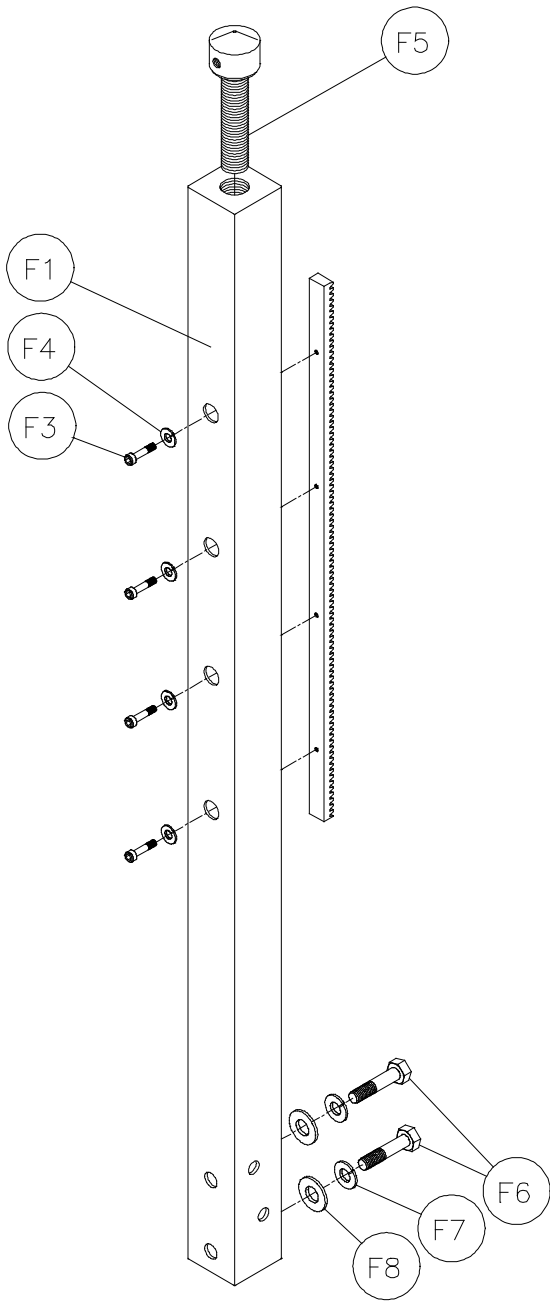


ASSEMBLY "BB"

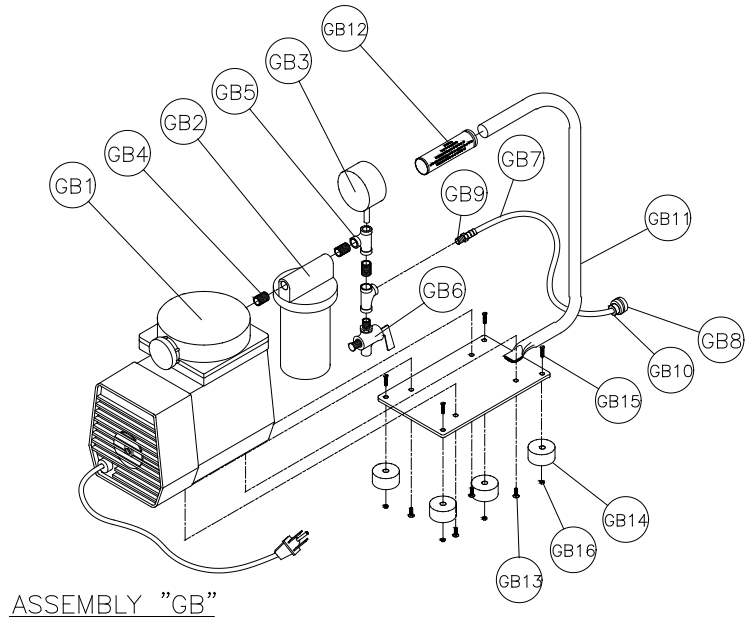


ASSEMBLY "EB & EC"

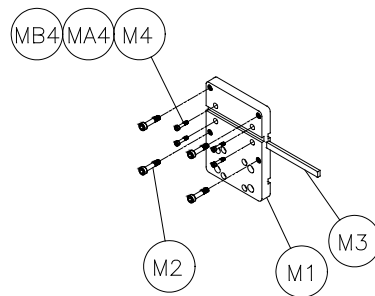
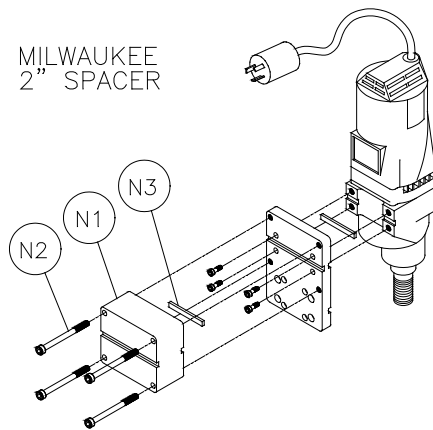
MANTA II EXPLODED VIEW (cont...)



ASSEMBLY "F"



ASSEMBLY "GB"



ASSEMBLY "M, MA & MB"

MANTA II PARTS LIST

PARTS LIST:

Item	Description	Qty	MK p/n
AB	Assembly, M2 Base, 2 ½ Combination	1	n/a
AB1	Base, M2	1	158114
AB2	Screw, ½-13 x 3 ½ Hex Hd. Cap, Full Thread	4	158284
AB3	Level, Circular Bubble	1	157429
AB4	Gasket, Neoprene	3.98'	154543
AB5	Fitting, ¼ MNPT x 3/8 Barb	1	154659
AB6	Wheel 6" x 1 ½ x ½ axle	2	157434
AB7	Screw, 1/2 x 1 3/4 Socket Head Shoulder	2	158390
AB8	Washer, ½ SAE Flat	2	150924
AB9	Washer, 5/16 Split Lock	2	151747
AB10	Foot, Base Support	2	158389
AB11	Screw, 3/8-16 x 2 ¼ Hex Head Cap	2	153529
AB12	Washer, 3/8 SAE Flat	2	150923
AB13	Nut, 3/8-16 Hex Nylok	2	152505
AB14	Label, Manta Serial Tag	1	157730
AB15	Label, Caution, Safety	1	155576
AB16	Label, MK, Adhesive	1	157914
AD	Assembly, M2 Base, Anchor	1	n/a
AD1	Base, M2 Anchor	1	158410
AD2	Screw, ½-13 x 3 ½ Hex Hd. Cap, Full Thread	4	158284
AD3	Label, Manta Serial Tag	1	157730
AD4	Label, Caution, Safety	1	155576
AD5	Label, MK, Adhesive	1	157914
BB	Assembly, Wheel Bracket, Anchor		N/a
BB1	Bracket, Wheel, Anchor	1	158457
BB2	Wheel 6" x 1 ½ x ½ axle	2	157434
BB3	Cap, Push ½" Stainless Steel	2	157435
BB4	Collar, ½ I.D. x 1" O.D. x 7/16	2	157518
BB5	Screw, 5/16 x 1 Hex Hd. Cap	2	151743
BB6	Washer, 5/16 SAE Flat	2	151754
BB7	Washer, 5/16 Split Lock	2	151747
BB8	Label, Manta 1-1/4 x 5 1/8	1	155388
D	Assembly, Carriage 2 ½"	1	n/a
D1	Body, Carriage	1	155757
D2	Shaft, Gear, Short	1	158348
D3	Bearing	2	137711
D4	Plate, Adjustment	3	157317
D5	Slide, Carriage	8	157318
D6	Screw, 6-32 x 1/2 Flat Head Phillips Machine	8	154448
D7	Screw, 6-32 x 3/8 Flat Head Phillips Machine	8	157521
D8	Nut, 6-32 Nylok Hex	8	157519
D9	Knob, Davies ¼-20 x ¾	1	151681
D10	Washer, ¼ SAE Flat	1	151915
D11	Back, Carriage	1	157438
D12	Screw, 1/4-20 X 1 Socket Head Cap	4	151049
D13	Screw, ¼-20 x 5/16 Socket Head Set	6	154226
D14	Handle, Carriage	1	157440
D15	Screw, 1/4-20 X ¾ Pan Head Phillips	2	157523
D16	Label, MK USA	2	154334
D17	Screw, 1/4-20 X 1 ¼ Socket Head Cap	4	159336
E	Assembly, Control Box, Fixed, Dual Switch 120V	1	158428
E1	Box, Control, Fixed	1	158274
E2	Cover, Control Box, Fixed, Dual Switch	1	158276

MANTA II PARTS LIST (cont...)

E3	Screw, ¼-20 x ¾ Socket Head Cap	2	152587
E4	Washer, ¼ Split Lock	2	152591
E5	Screw, 10-24 x 5/8 Self Tapping (phillips)	6	153681
E6	Ammeter 120V	1	154489
E7	Switch, 30A Toggle	2	154491
E8	Receptacle, Flanged 15A / 125V	1	154473
E9	Cord, Power SOWA 12/3 Yellow	3'	154494
E10	Connector, Cord ½ (Appleton CG-5050)	1	151307
E11	Receptacle, Flanged Twist-lock 20A / 125V	1	157375
E12	Transformer, Current	1	154490
E13	Screw, 6-32 x ½ Pan Head	2	153459
E14	Plug, Twist-lock, 125V / 20A	1	154556
E15	Wire Harness (not shown)	1	154715
E16	RTV Silicon Adhesive Sealant (Bulk)	. 25oz.	n/a
E17	Cover, Toggle Switch	2	154301
EB	Assembly, Control Box, Single Switch 120V	1	158430
EB1	Box, Control, Single Switch	1	158385
EB2	Cover, Control Box, Single Switch	1	158387
EB3	Screw, ¼-20 x ¾ Socket Head Cap	2	152587
EB4	Washer, ¼ Split Lock	2	152591
EB5	Screw, 10-24 x 5/8 Self Tapping	6	153681
EB6	Ammeter 120V	1	154489
EB7	Switch, 30A Toggle	1	154491
EB8	Cord, Power	3'	154494
EB9	Connector, Cord ½	1	151307
EB10	Receptacle, Flanged Twist-lock	1	157375
EB11	Plug, Twist-lock	1	154556
EB12	Transformer, Current	1	154490
EB13	Screw, 6-32 x ½ Pan Head	2	153459
EB14	Wire Harness (modified)	1	154715
EB15	RTV Silicon Adhesive Sealant (Bulk)	.25 oz.	n/a
EB16	Cover, Toggle Switch	1	154301
F1	Assembly, Column		n/a
F1	Manta, Core Drill Column (w/Gear Rack)	1	158425-2
F3	Screw, 10-32 X ½ Socket Hd. Cap	4	157525
F4	Washer, #10 Split Lock	4	153684
F5	Screw, M22 x 1.25 Jack	1	157445
F6	Screw, 1/2-13 X 3 ½ Hex Head Cap	2	154574
F7	Washer, 1/2 Split Lock	2	153524
F8	Washer, 1/2 SAE Flat	2	150924
GB	Assembly, Vacuum Pump w/ Handle 120V	1	154741
GB1	Pump, Vacuum 120v	1	154475
GB2	Filter, Water	1	154476
GB3	Gauge, Vacuum	1	154477
GB4	Nipple, 1/4 MNPT X Close	3	152598
GB5	Fitting, 1/4 FNPT X 1/4 FNPT X 1/4 FNPT Tee	2	154497
GB6	Valve, 1/4" Pettcock	1	154488
GB7	Hose, 3/8 I.D. Air	6'	154656
GB8	Coupler Body, 1/4 FNPT	1	154617
GB9	Fitting, 1/4 MNPT X 3/8 BARB	2	154659
GB10	Ferrell, Crimp	2	154660
GB11	Base, Vacuum Pump	1	154495
GB12	Handgrip, 3/4 X 4 9/16 Black	1	139949
GB13	Screw, 10-32 X 1/2 Phillips Pan Head Cap	4	151052

MANTA II PARTS LIST(cont...)

GB14	Foot, Rubber	4	154496
GB15	Screw, 1/4-20 X 3/4 Flat Head Phillips Cap	4	154657
GB16	Nut, 1/4-20 Hex	4	151893
H	Assembly, Handle, Slip	1	n/a
H1	Hub, Slip Handle	1	157321
H2	Spoke, Slip Handle	1	157322
H3	Knob, Ball 1/2-20 Female	2	154486
H4	Screw, 1/4-20 X 3/4 Thumb	1	157432
H5	Screw, 1/4-20 X 1/4 Socket Head Set	2	157528
K	Assembly, Accessory Pack (not shown)	1	n/a
K1	Carton, Accessory Pack	1	157323
K2	Owner's Manual, MK-Manta 2 Series Core Drill	1	
K3	Card, Warranty	1	155859
K4	MK Sell Sheet	1	155333
LA	Assembly, Motor, Milwaukee 4094	1	n/a
LA1	Motor, Milwaukee 4094, Shear Pin, 20A/120V	1	154633
LB	Assembly, Motor, Milwaukee 4096	1	n/a
LB1	Motor, Milwaukee 4096, Slip Clutch, 20A/120V	1	155540
LD	Assembly, Motor, Milwaukee 4004	1	n/a
LD1	Motor, Milwaukee 4004, Slip Clutch, 20A/120V	1	159263
LE	Assembly, Motor, Milwaukee 4097-20	1	n/a
LE1	Motor, Milwaukee 4097-20, Slip Clutch, 15A/120V	1	159264
LF	Assembly, Motor, Milwaukee 4090	1	n/a
LF1	Motor, Milwaukee 4090, Shear Pin, 15A/120V	1	155976
LJ	Assembly, Motor, Eibenstock EBM 300/3 P	1	n/a
LJ1	Motor, Eibenstock EBM 300/3/P, Slip Clutch, 20A/120V	1	158754
M	Assembly, 3/4" Motor Mount Plate, Hybrid, Milwaukee	1	n/a
M1	Motor Mount Plate, Hybrid	1	158412
M2	Screw, 3/8-16 x 1 1/4, Socket Hd. Cap	4	157529
M3	Key, 3/8 x 3/8 x 5	1	157520
M4	Screw, 1/4-20 x 1.0, Socket Hd. Cap	4	151049
MA	Assembly, 3/4" Motor Mount Plate, Hybrid, CB748	1	n/a
MA1	Motor Mount Plate, Hybrid	1	158412
MA2	Screw, 3/8-16 x 1 1/4, Socket Hd. Cap	4	157529
MA3	Key, 3/8 x 3/8 x 5	1	157520
MA4	Screw, 1/4-28 x 1.5, Socket Hd. Cap	4	154684
MB	Assembly, 3/4" Motor Mount Plate, Hybrid, Ebinstock	1	n/a
MB1	Motor Mount Plate, Hybrid	1	158412
MB2	Screw, 3/8-16 x 1 1/4, Socket Hd. Cap	4	157529
MB3	Key, 3/8 x 3/8 x 5	1	157520
MB4	Screw, M8 x 1.25 x 25mm, Socket Hd. Cap	4	157530
	Optional Accessories:		
N	Assembly, 2", Spacer Block Milwaukee	1	n/a
N	Spacer Block, 2" Milwaukee	1	154721
N2	Screw, 3/8-16 x 3 1/4, Socket Hd. Cap	4	161118
N3	Key, 3/8 x 3/8 x 5	1	157520